



# 1/5-Inch CMOS Digital Image Sensor

## ARX550AT Data Sheet

For the latest data sheet, refer to Aptina's Web site: [www.aplina.com](http://www.aplina.com)

### Features

- Superior low-light performance
- Linear or high dynamic range capture
- Video/Single Frame modes
- On-chip AE and statistics engine
- Parallel and serial output
- Auto black level calibration
- Context switching
- Temperature Sensor

### Applications

- Automotive scene processing
- High dynamic range imaging

### General Description

Aptina's ARX550AT is a 1/5-inch CMOS digital image sensor with an active-pixel array of 848H x638V. It captures images in either linear or high dynamic range modes, with a rolling-shutter readout. It includes sophisticated camera functions such as auto exposure control, windowing, and both video and single frame modes. It is designed for both low light and high dynamic range scene performance. It is programmable through a simple two-wire serial interface. The ARX550AT produces extraordinarily clear, sharp digital pictures, and its ability to capture both continuous video and single frames makes it the perfect choice for a wide range of applications, including ADAS cameras.

**Table 1: Key Parameters**

Parameter	Typical Value	
Optical format	1/5-inch (4 mm)	
Active pixels	848 x 638 = 0.5 Mp	
Pixel size	3.75 $\mu$ m	
Color filter array	RGB Bayer	
Shutter type	Electronic rolling shutter	
Input clock range	6 – 50 MHz	
Output clock maximum	74.25 MHz	
Output	Serial	HiSPi 12-, 14-, or 20-bit
	Parallel	12-bit
Frame rate	Full resolution	66.37 fps at 74.25 MHz Clock
Responsivity		5.48 V/lux-sec

**Table 1: Key Parameters (continued)**

Parameter	Typical Value	
SNR <sub>MAX</sub>	43.9 dB	
Max Dynamic range	>115 dB	
Supply voltage	I/O	1.8 or 2.8V*
	Digital	1.8 V
	Analog	2.8 V
	HiSPi	0.4V or 1.8V
Power consumption (typical)	372mW HDR Full Resolution	
Operating temperature (ambient) -T <sub>A</sub>	-40°C to +105°C (automotive)	
Package options	9x9 mm iBGA	
	Bare die	

\*1.8V V<sub>DD\_IO</sub> is recommended due to better row noise performance

### Ordering Information

**Table 2: Available Part Numbers**

Part Number	Description
ARX550AT2C00XPEA0-E	Color, iBGA Engineering Samples, Extended Temp
ARX550AT2C00XPEA0	Color, iBGA Production, Extended Temp
ARX550AT2C00XPEAD-E	Color, iBGA Demo Board
ARX550AT2C00XPEAH-E	Color, iBGA Head Board
ARX550AT2C00XPD20	Color, 200 $\mu$ m Die Production, Extended Temp



## Table of Contents

Features . . . . .	1
Applications . . . . .	1
General Description . . . . .	1
Ordering Information . . . . .	1
General Description . . . . .	6
Functional Overview . . . . .	6
Pixel Data Format . . . . .	11
Pixel Array Structure . . . . .	11
Default Readout Order . . . . .	12
Output Data Format . . . . .	13
Readout Sequence . . . . .	13
Parallel Output Data Timing . . . . .	14
LV and FV . . . . .	14
LV Format Options . . . . .	14
Serial Output Data Timing . . . . .	15
HiSPi Physical Layer . . . . .	15
DLL Timing Adjustment . . . . .	16
HiSPi Protocol Layer . . . . .	17
Frame Time . . . . .	18
Exposure . . . . .	19
High Dynamic Range Mode . . . . .	20
HDR Specific Exposure Settings . . . . .	22
Motion Compensation . . . . .	22
Real-Time Context Switching . . . . .	23
Features . . . . .	23
Reset . . . . .	23
Hard Reset of Logic . . . . .	23
Soft Reset of Logic . . . . .	23
Clocks . . . . .	23
PLL-Generated Master Clock . . . . .	24
Spread-Spectrum Clocking . . . . .	25
Stream/Standby Control . . . . .	25
Soft Standby . . . . .	25
Hard Standby . . . . .	25
Window Control . . . . .	26
Blanking Control . . . . .	26
Readout Modes . . . . .	26
Digital Binning . . . . .	26
Bayer Space Resampling . . . . .	27
Mirror . . . . .	27
Column Mirror Image . . . . .	27
Row Mirror Image . . . . .	27
Maintaining a Constant Frame Rate . . . . .	28
Synchronizing Register Writes to Frame Boundaries . . . . .	28
Restart . . . . .	29
Image Acquisition Modes . . . . .	29
Video . . . . .	29
Single Frame . . . . .	29
Continuous Trigger . . . . .	29
Temperature Sensor . . . . .	30
Automatic Exposure Control . . . . .	30



Embedded Data and Statistics . . . . .	31
Embedded Data . . . . .	31
Embedded Statistics . . . . .	33
Gain . . . . .	34
Digital Gain . . . . .	34
Analog Gain . . . . .	34
Black Level Correction . . . . .	34
Row-wise Noise Correction . . . . .	34
Column Correction . . . . .	35
Column Correction Triggering . . . . .	35
Defective Pixel Correction . . . . .	36
Test Patterns . . . . .	36
Color Field . . . . .	36
Vertical Color Bars . . . . .	36
Walking 1s . . . . .	37
Two-Wire Serial Register Interface . . . . .	38
Protocol . . . . .	38
Start Condition . . . . .	38
Stop Condition . . . . .	38
Data Transfer . . . . .	38
Slave Address/Data Direction Byte . . . . .	38
Message Byte . . . . .	39
Acknowledge Bit . . . . .	39
No-Acknowledge Bit . . . . .	39
Typical Sequence . . . . .	39
Single READ from Random Location . . . . .	40
Single READ from Current Location . . . . .	40
Sequential READ, Start from Random Location . . . . .	40
Sequential READ, Start from Current Location . . . . .	41
Single WRITE to Random Location . . . . .	41
Sequential WRITE, Start at Random Location . . . . .	41
Spectral Characteristics . . . . .	42
Electrical Specifications . . . . .	43
Two-Wire Serial Register Interface . . . . .	43
I/O Timing . . . . .	44
DC Electrical Characteristics . . . . .	48
HiSPi Electrical Specifications . . . . .	52
Power-On Reset and Standby Timing . . . . .	52
Power-Up Sequence . . . . .	52
Power-Down Sequence . . . . .	54
Package Diagram . . . . .	55
Revision History . . . . .	56



## List of Figures

Figure 1:	Block Diagram	6
Figure 2:	Typical Configuration: Serial Four-Lane HiSPi Interface	7
Figure 3:	Typical Configuration: Parallel Pixel Data Interface	8
Figure 4:	9 x 9 mm 64-Ball IBGA Package	10
Figure 5:	Pixel Array Description	11
Figure 6:	Pixel Color Pattern Detail (Top Right Corner)	12
Figure 7:	Imaging a Scene	12
Figure 8:	Spatial Illustration of Image Readout	13
Figure 9:	Default Pixel Output Timing	14
Figure 10:	LV Format Options	14
Figure 11:	HiSPi Transmitter and Receiver Interface Block Diagram	15
Figure 12:	Timing Diagram	16
Figure 13:	Block Diagram of DLL Timing Adjustment	16
Figure 14:	Delaying the Clock with Respect to Data	17
Figure 15:	Delaying Data with Respect to the Clock	17
Figure 16:	Line Timing and FRAME_VALID/LINE_VALID Signals	18
Figure 17:	HDR Data Compression	20
Figure 18:	PLL-Generated Master Clock PLL Setup	24
Figure 19:	Six Pixels in Normal and Column Mirror Readout Modes	27
Figure 20:	Six Rows in Normal and Row Mirror Readout Modes	27
Figure 21:	Frame Format with Embedded Data Lines Enabled	31
Figure 22:	Format of Embedded Data Output within a Frame	32
Figure 23:	Format of Embedded Statistics Output within a Frame	33
Figure 24:	Single READ from Random Location	40
Figure 25:	Single READ from Current Location	40
Figure 26:	Sequential READ, Start from Random Location	40
Figure 27:	Sequential READ, Start from Current Location	41
Figure 28:	Single WRITE to Random Location	41
Figure 29:	Sequential WRITE, Start at Random Location	41
Figure 30:	Quantum Efficiency – Color Sensor	42
Figure 31:	Two-Wire Serial Bus Timing Parameters	43
Figure 32:	I/O Timing Diagram	44
Figure 33:	Typical Power Supply Rejection Ratio	51
Figure 34:	Power Up	52
Figure 35:	Power Down	54



## List of Tables

Table 1:	Key Parameters . . . . .	1
Table 2:	Available Part Numbers . . . . .	1
Table 3:	Pin Descriptions, 9 x 9 mm, 64-ball iBGA . . . . .	9
Table 4:	Frame Time (Example Based on 848 x 638, 67 Frames Per Second) . . . . .	18
Table 5:	Frame Time: Long Integration Time . . . . .	19
Table 6:	Knee Points for Compression to 14 Bits . . . . .	21
Table 7:	Knee Points for Compression to 12 Bits . . . . .	21
Table 8:	Real-Time Context-Switchblade Registers . . . . .	23
Table 9:	Test Pattern Modes . . . . .	36
Table 10:	Two-Wire Serial Bus Characteristics . . . . .	43
Table 11:	I/O Timing Characteristics (2.8V VDD_IO) . . . . .	45
Table 12:	I/O Timing Characteristics (1.8V VDD_IO) . . . . .	46
Table 13:	I/O Rise Slew Rate (2.8V VDD_IO) . . . . .	46
Table 14:	I/O Fall Slew Rate (2.8V VDD_IO) . . . . .	47
Table 15:	I/O Rise Slew Rate (1.8V VDD_IO) . . . . .	47
Table 16:	I/O Fall Slew Rate (1.8V VDD_IO) . . . . .	47
Table 17:	DC Electrical Characteristics . . . . .	48
Table 18:	Absolute Maximum Ratings . . . . .	48
Table 19:	Operating Current Consumption in Parallel Output and Linear Mode . . . . .	49
Table 20:	Operating Current Consumption in Parallel Output and HDR Mode . . . . .	49
Table 21:	Operating Currents in HiSPi Output and Linear Mode . . . . .	49
Table 22:	Operating Current in HiSPi Output and HDR Mode . . . . .	50
Table 23:	Standby Current Consumption . . . . .	50
Table 24:	Power-Up Sequence . . . . .	53
Table 25:	Power-Down Sequence . . . . .	54

## General Description

The Aptina™ ARX550AT can be operated in its default mode or programmed for frame size, exposure, gain, and other parameters. The default mode output is a full-resolution image at 66 frames per second (fps). In linear mode, it outputs 12-bit raw data, using either the parallel or serial (HiSPi) output ports. In high dynamic range mode, it outputs 12-bit compressed data using parallel output, or 12-bit or 14-bit compressed or 20-bit linearized data using the HiSPi port. The device may be operated in video (master) mode or in single frame trigger mode.

FRAME\_VALID and LINE\_VALID signals are output on dedicated pins, along with a synchronized pixel clock in parallel mode.

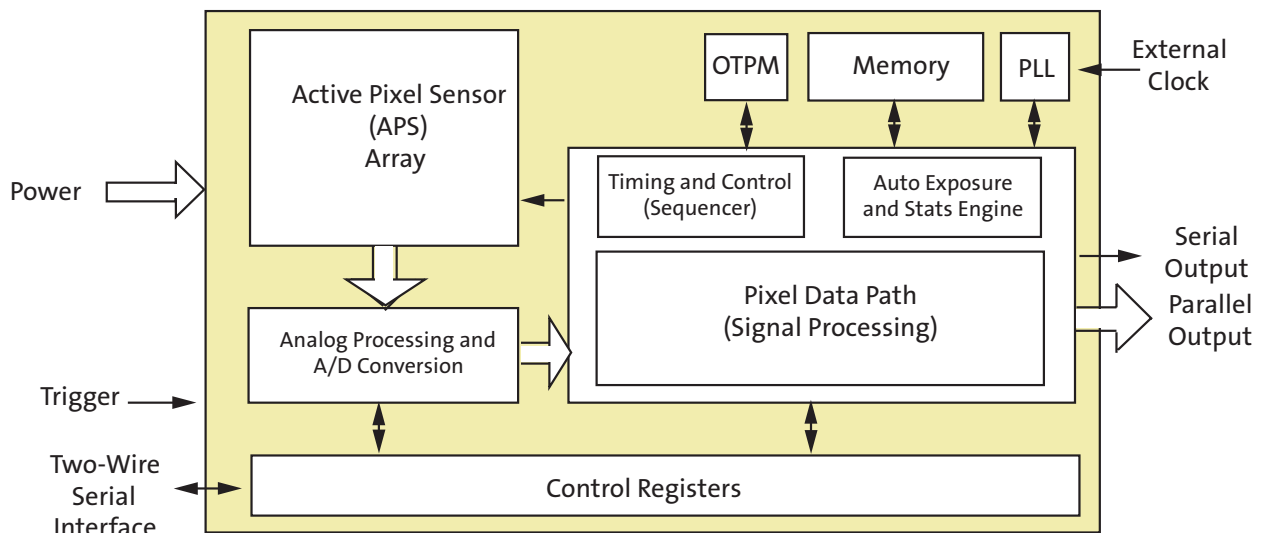
The ARX550AT includes additional features to allow application-specific tuning: windowing and offset, adjustable auto-exposure control, auto black level correction, and on-board temperature sensor. Optional register information and histogram statistic information can be embedded in first and last 2 lines of the image frame.

The sensor is designed to operate in a wide temperature range (–40°C to +105°C).

## Functional Overview

The ARX550AT is a progressive-scan sensor that generates a stream of pixel data at a constant frame rate. It uses an on-chip, phase-locked loop (PLL) that can be optionally enabled to generate all internal clocks from a single master input clock running between 6 and 50 MHz. The maximum output pixel rate is 74.25 Mp/s, corresponding to a clock rate of 74.25 MHz. Figure 1 shows a block diagram of the sensor.

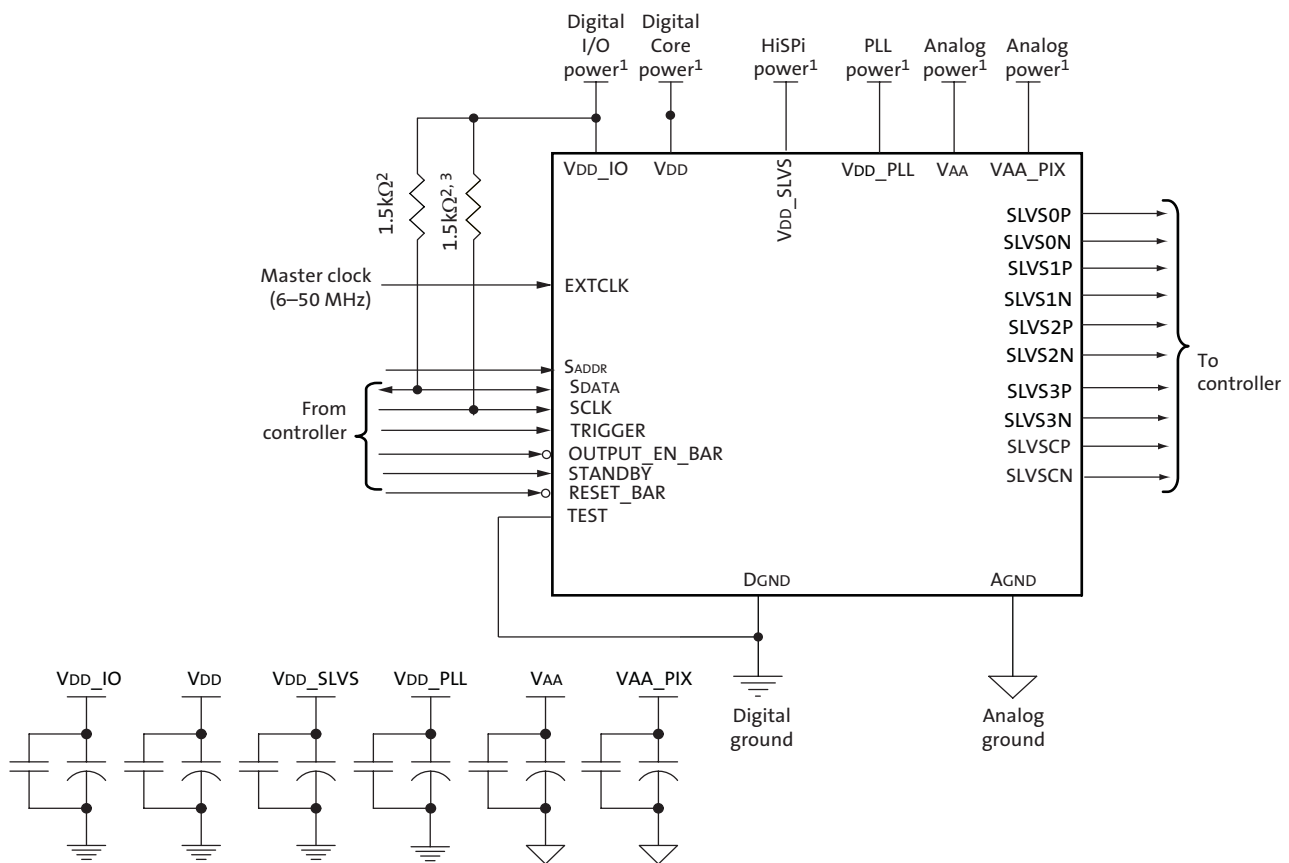
**Figure 1: Block Diagram**



User interaction with the sensor is through the two-wire serial bus, which communicates with the array control, analog signal chain, and digital signal chain. The core of the sensor is a 0.5 Mp Active-Pixel Sensor array. The timing and control circuitry sequences through the rows of the array, resetting and then reading each row in turn. In the time interval between resetting a row and reading that row, the pixels in the row integrate incident light. The exposure is controlled by varying the time interval between reset and

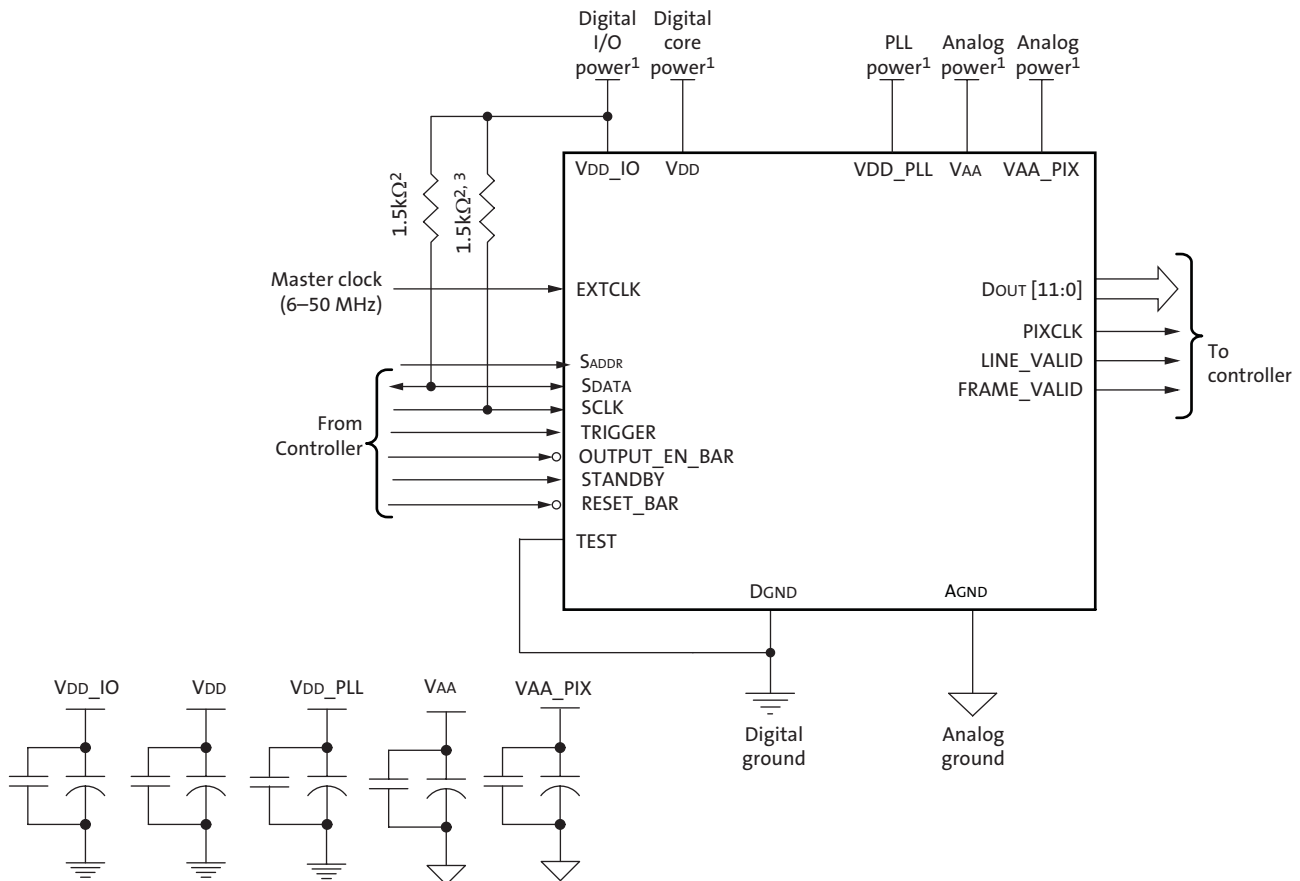
readout. Once a row has been read, the data from the columns is sequenced through an analog signal chain (providing offset correction and gain), and then through an analog-to-digital converter (ADC). The output from the ADC is a 12-bit value for each pixel in the array. The ADC output passes through a digital processing signal chain (which provides further data path corrections and applies digital gain). The sensor also offers a high dynamic range mode of operation where multiple images are combined on-chip to produce a single image at 20-bit per pixel value. A compressing mode is further offered to allow this 20-bit pixel value to be transmitted to the host system as a 12- or 14-bit value with close to zero loss in image quality. The pixel data are output at a rate of up to 74.25 Mp/s, in parallel to frame and line synchronization signals.

**Figure 2: Typical Configuration: Serial Four-Lane HiSPi Interface**



- Notes:
1. All power supplies must be adequately decoupled.
  2. Aptina recommends a resistor value of 1.5kΩ, but a greater value may be used for slower two-wire speed.
  3. This pull-up resistor is not required if the controller drives a valid logic level on SCLK at all times.
  4. The parallel interface output pads can be left unconnected if the serial output interface is used.
  5. Aptina recommends that 0.1μF and 10μF decoupling capacitors for each power supply are mounted as close as possible to the pad. Actual values and results may vary depending on layout and design considerations. Check the ARX550AT demo headboard schematics for circuit recommendations.
  6. Aptina recommends that analog power planes are placed in a manner such that coupling with the digital power planes is minimized.
  7. I/O signals voltage must be configured to match VDD\_IO voltage to minimize any leakage currents.

Figure 3: Typical Configuration: Parallel Pixel Data Interface



- Notes:
1. All power supplies must be adequately decoupled.
  2. Aptina recommends a resistor value of 1.5kΩ, but a greater value may be used for slower two-wire speed.
  3. This pull-up resistor is not required if the controller drives a valid logic level on SCLK at all times.
  4. The serial interface output pads and VDDSLVS can be left unconnected if the parallel output interface is used.
  5. Aptina recommends that 0.1μF and 10μF decoupling capacitors for each power supply are mounted as close as possible to the pad. Actual values and results may vary depending on layout and design considerations. Check the ARX550AT demo headboard schematics for circuit recommendations.
  6. Aptina recommends that analog power planes are placed in a manner such that coupling with the digital power planes is minimized.
  7. I/O signals voltage must be configured to match VDD\_IO voltage to minimize any leakage currents.





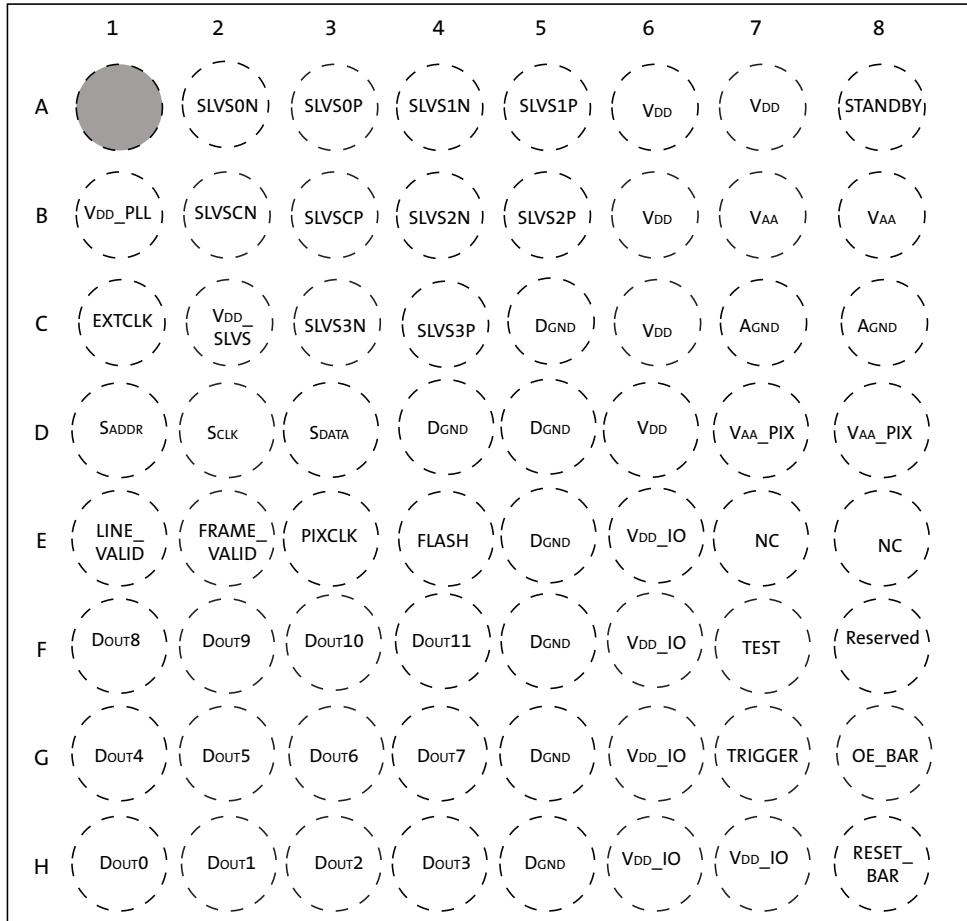
Table 3: Pin Descriptions, 9 x 9 mm, 64-ball iBGA

Name	iBGA Pin	Type	Description
SLVS0_N	A2	Output	HiSPi serial data, lane 0, differential N.
SLVS0_P	A3	Output	HiSPi serial data, lane 0, differential P.
SLVS1_N	A4	Output	HiSPi serial data, lane 1, differential N.
SLVS1_P	A5	Output	HiSPi serial data, lane 1, differential P.
STANDBY	A8	Input	Standby-mode enable pin (active HIGH).
VDD_PLL	B1	Power	PLL power.
SLVSC_N	B2	Output	HiSPi serial DDR clock differential N.
SLVSC_P	B3	Output	HiSPi serial DDR clock differential P.
SLVS2_N	B4	Output	HiSPi serial data, lane 2, differential N.
SLVS2_P	B5	Output	HiSPi serial data, lane 2, differential P.
VAA	B7, B8	Power	Analog power.
EXTCLK	C1	Input	External input clock.
VDD_SLVS	C2	Power	HiSPi power.
SLVS3_N	C3	Output	HiSPi serial data, lane 3, differential N.
SLVS3_P	C4	Output	HiSPi serial data, lane 3, differential P.
DGND	C5, D4, D5, E5, F5, G5, H5	Power	Digital ground.
VDD	A6, A7, B6, C6, D6	Power	Digital power.
AGND	C7, C8	Power	Analog ground.
SADDR	D1	Input	Two-Wire Serial address select.
SCLK	D2	Input	Two-Wire Serial clock input.
SDATA	D3	I/O	Two-Wire Serial data I/O.
VAA_PIX	D7, D8	Power	Pixel power.
LINE_VALID	E1	Output	Asserted when DOUT line data is valid.
FRAME_VALID	E2	Output	Asserted when DOUT frame data is valid.
PIXCLK	E3	Output	Pixel clock out. DOUT is valid on rising edge of this clock.
VDD_IO	E6, F6, G6, H6, H7	Power	I/O supply power.
DOUT8	F1	Output	Parallel pixel data output.
DOUT9	F2	Output	Parallel pixel data output.
DOUT10	F3	Output	Parallel pixel data output.
DOUT11	F4	Output	Parallel pixel data output (MSB)
TEST	F7	Input.	Manufacturing test enable pin (connect to DGND).
DOUT4	G1	Output	Parallel pixel data output.
DOUT5	G2	Output	Parallel pixel data output.
DOUT6	G3	Output	Parallel pixel data output.
DOUT7	G4	Output	Parallel pixel data output.
TRIGGER	G7	Input	Exposure synchronization input.
OE_BAR	G8	Input	Output enable (active LOW).
DOUT0	H1	Output	Parallel pixel data output (LSB)
DOUT1	H2	Output	Parallel pixel data output.
DOUT2	H3	Output	Parallel pixel data output.
DOUT3	H4	Output	Parallel pixel data output.
RESET_BAR	H8	Input	Asynchronous reset (active LOW). All settings are restored to factory default.
FLASH	E4	Output	Flash control output.
NC	E7, E8		No connection.

**Table 3: Pin Descriptions, 9 x 9 mm, 64-ball iBGA**

Name	iBGA Pin	Type	Description
Reserved	F8		No connection.

**Figure 4: 9 x 9 mm 64-Ball IBGA Package**



Top View  
(Ball Down)

## Pixel Data Format

### Pixel Array Structure

The ARX550AT pixel array is configured as 868 columns by 698 rows, (see Figure 5). The dark pixels are optically black and are used internally to monitor black level. Of the top 24 rows of pixels, 6 of the dark rows are used for black level correction. There are 856 columns by 646 rows of optically active pixels. While the sensor's format is 848 x 638, the additional active columns and active rows are included for use when horizontal or vertical mirrored readout is enabled, to allow readout to start on the same pixel. The pixel adjustment is always performed for monochrome or color versions. The active area is surrounded with optically transparent dummy pixels to improve image uniformity within the active area. Not all dummy pixels or barrier pixels can be read out.

Figure 5: Pixel Array Description

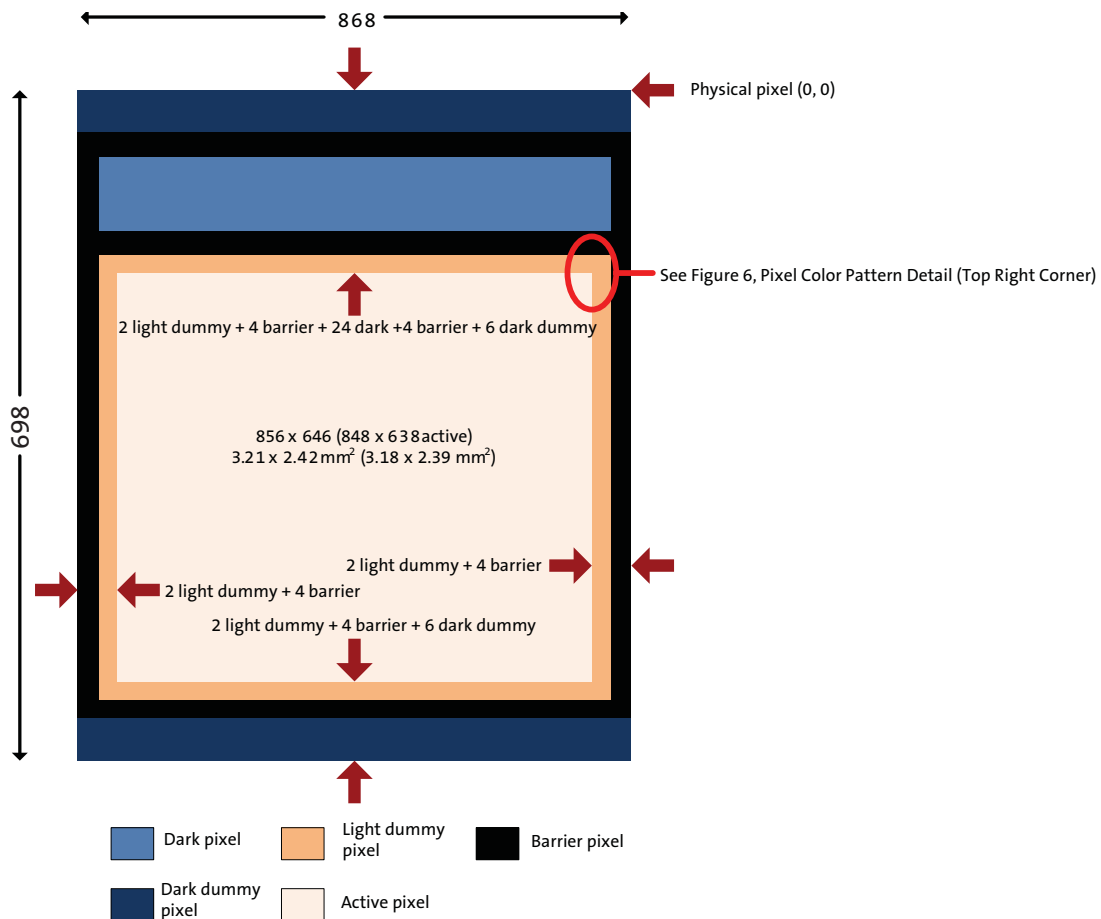
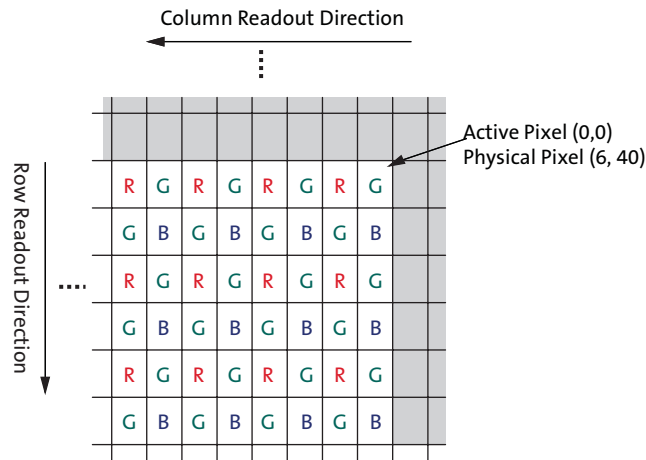


Figure 6: Pixel Color Pattern Detail (Top Right Corner)

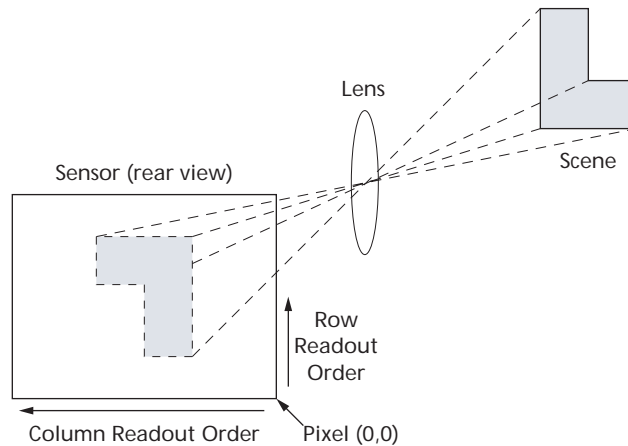


### Default Readout Order

By convention, the sensor core pixel array is shown with pixel (0,0) in the top right corner (see Figure 6). This reflects the actual layout of the array on the die. Also, the first pixel data read out of the sensor in default condition is that of pixel (6, 40).

When the sensor is imaging, the active surface of the sensor faces the scene as shown in Figure 7. When the image is read out of the sensor, it is read one row at a time, with the rows and columns sequenced as shown in Figure 7 on page 12.

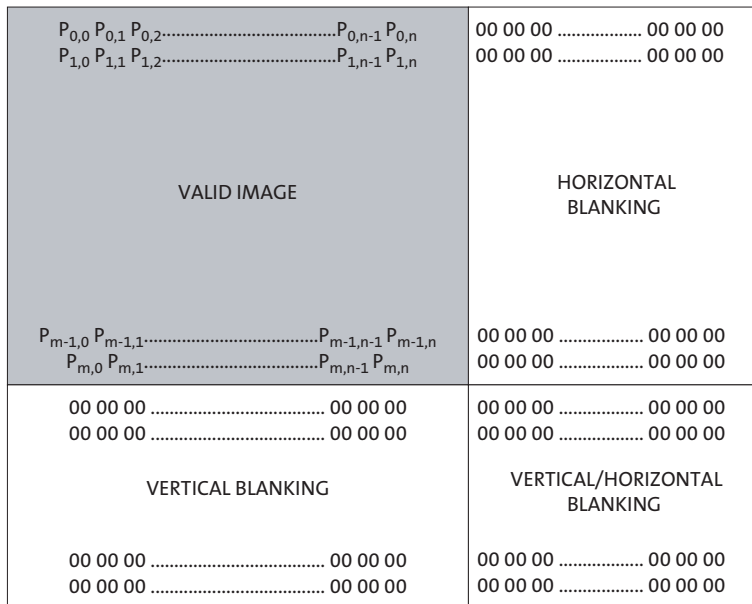
Figure 7: Imaging a Scene



## Output Data Format

The ARX550AT image data is read out in a progressive scan. Valid image data is surrounded by horizontal and vertical blanking (see Figure 8). The amount of horizontal row time (in clocks) is programmable through R0x300C. The amount of vertical frame time (in rows) is programmable through R0x300A. Line\_Valid (LV) is HIGH during the shaded region of Figure 8. Optional Embedded Register setup information and Histogram statistic information are available in first 2 and last row of image data.

**Figure 8: Spatial Illustration of Image Readout**



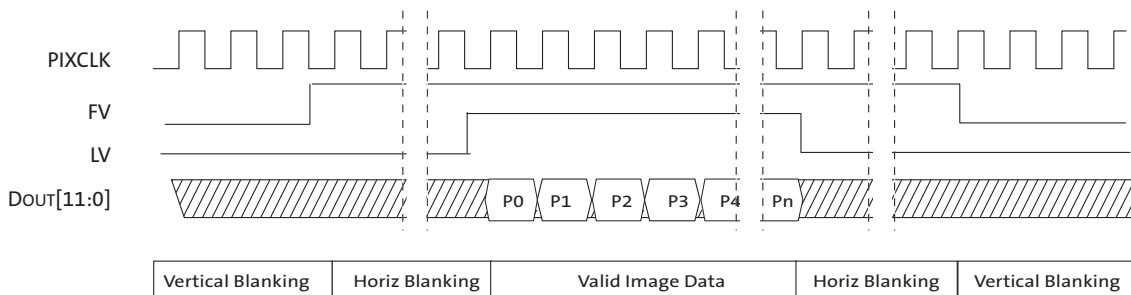
## Readout Sequence

Typically, the readout window is set to a region including only active pixels. The user has the option of reading out dark regions of the array, but if this is done, consideration must be given to how the sensor reads the dark regions for its own purposes.

### Parallel Output Data Timing

The output images are divided into frames, which are further divided into lines. By default, the sensor produces 638 rows of 848 columns each. The FV and LV signals indicate the boundaries between frames and lines, respectively. PIXCLK can be used as a clock to latch the data. For each PIXCLK cycle, with respect to the falling edge, one 12-bit pixel datum outputs on the DOUT pins. When both FV and LV are asserted, the pixel is valid. PIXCLK cycles that occur when FV is de-asserted are called vertical blanking. PIXCLK cycles that occur when only LV is de-asserted are called horizontal blanking.

**Figure 9: Default Pixel Output Timing**



### LV and FV

The timing of the FV and LV outputs is closely related to the row time and the frame time.

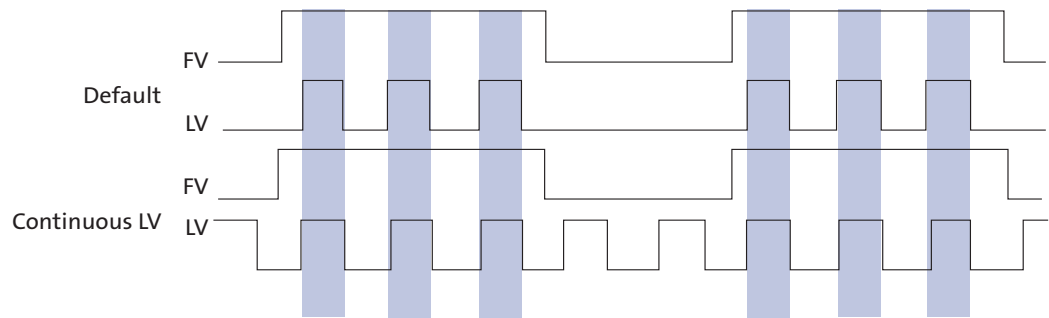
FV will be asserted for an integral number of row times, which will normally be equal to the height of the output image.

LV will be asserted during the valid pixels of each row. The leading edge of LV will be offset from the leading edge of FV by 6 PIXCLKs. Normally, LV will only be asserted if FV is asserted; this is configurable as described below.

### LV Format Options

The default situation is for LV to be de-asserted when FV is de-asserted. By configuring R0x306E[1:0], the LV signal can take two different output formats. The formats for reading out four lines and two vertical blanking lines are shown in Figure 10.

**Figure 10: LV Format Options**

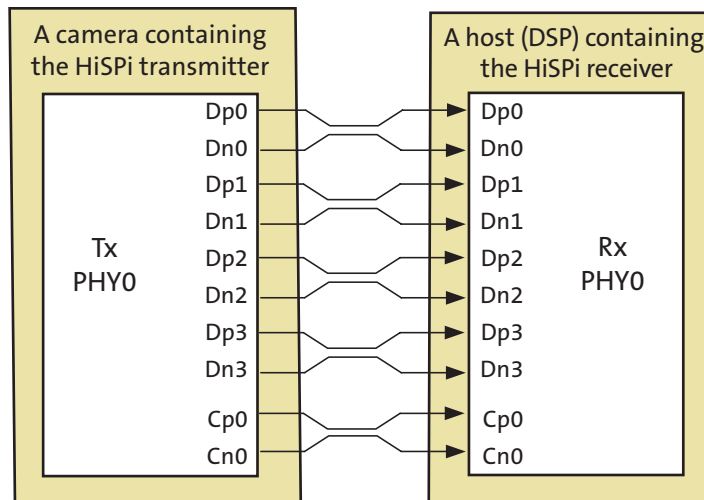


The timing of an entire frame is shown in Figure 16: “Line Timing and FRAME\_VALID/ LINE\_VALID Signals,” on page 18.

## Serial Output Data Timing

The ARX550AT also uses Aptina's High-Speed Serial Pixel Interface (“HiSPi”). The physical interface comprises differential serial data lines and a differential clock line. The protocol layer formats the data and synchronization signals separately, with Sync codes defined for active image boundaries. Figure 11 shows the configuration between the HiSPi transmitter and the receiver. There are two options for HiSPi output SLVS or HiVCM mode selectable through register 0x306E bit 9. Setting this bit to 0 selects SLVS; setting the bit to 1 selects HiVCM.

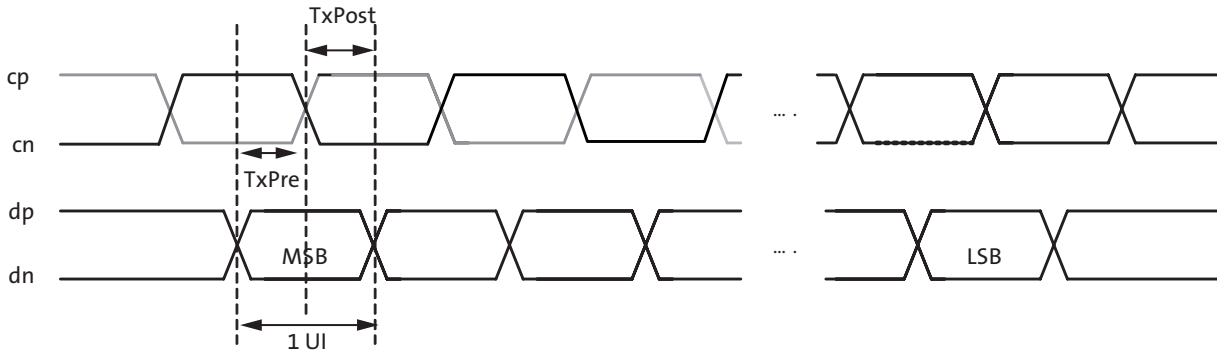
**Figure 11: HiSPi Transmitter and Receiver Interface Block Diagram**



## HiSPi Physical Layer

The HiSPi physical layer has four data lanes and an associated clock lane. Depending on the sensor operating mode and data rate, it can be configured to use either 2, 3, or 4 lanes. The PHY will serialize a 12- to 20-bit data word and transmit each bit of data centered on a rising edge of the clock, the second on the following falling edge of clock. Figure 12 shows bit transmission. In this example, the word is transmitted in order of MSB to LSB. The receiver latches data at the rising and falling edge of the clock.

Figure 12: Timing Diagram

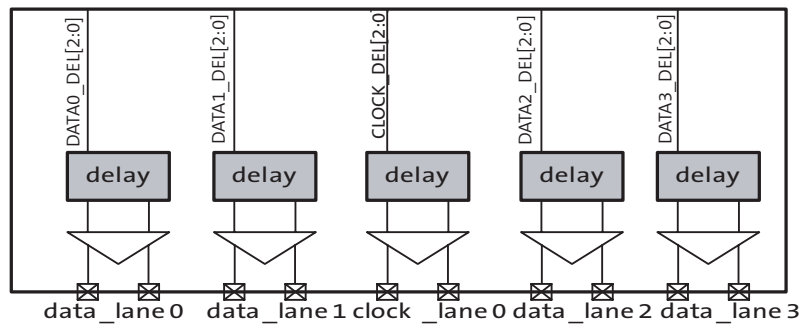


DLL Timing Adjustment

The ARX550AT includes a DLL to compensate for differences in group delay for each data lane. The DLL is connected to the clock lane and each data lane, which acts as a control master for the output delay buffers. Once the DLL has gained phase lock, each lane can be delayed in 1/8 unit interval (UI) steps. This additional delay allows the user to increase the setup or hold time at the receiver circuits and can be used to compensate for skew introduced in PCB design.

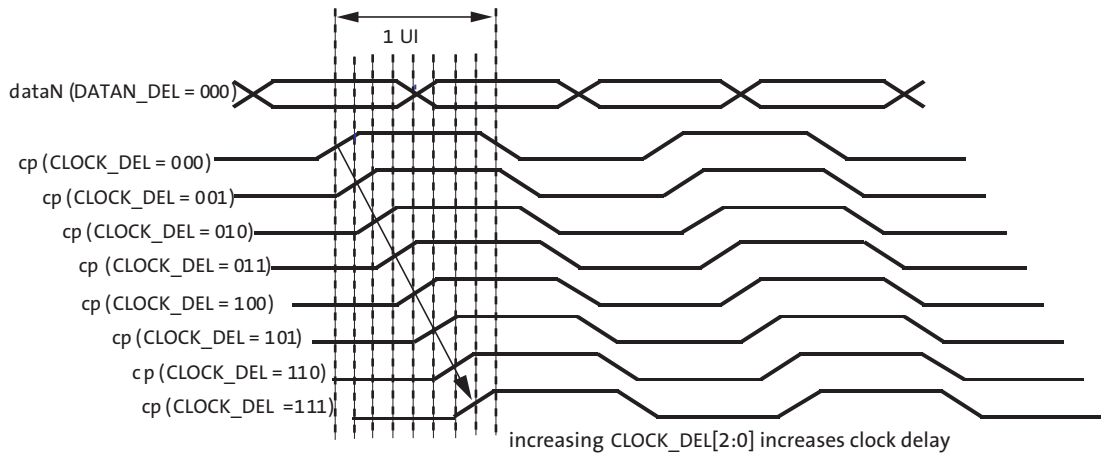
Delay compensation may be set for clock and/or data lines in the hispi\_timing register R0x31C0. If the DLL timing adjustment is not required, the data and clock lane delay settings should be set to a default code of 0x000 to reduce jitter, skew, and power dissipation.

Figure 13: Block Diagram of DLL Timing Adjustment

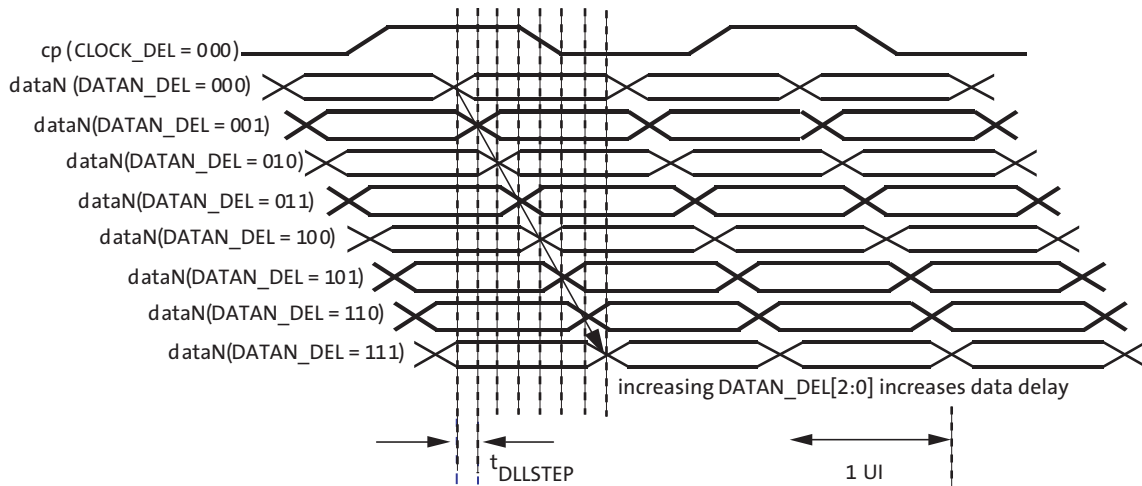




**Figure 14: Delaying the Clock with Respect to Data**



**Figure 15: Delaying Data with Respect to the Clock**



## HiSPi Protocol Layer

The HiSPi protocol is described the HiSPi Protocol Specification document.

## Frame Time

The pixel clock (PIXCLK) represents the time needed to sample 1 pixel from the array. The sensor outputs data at the maximum rate of 1 pixel per PIXCLK. One row time (<sup>t</sup>ROW) is the period from the first pixel output in a row to the first pixel output in the next row. The row time and frame time are defined by equations in Table 4.

Figure 16: Line Timing and FRAME\_VALID/LINE\_VALID Signals

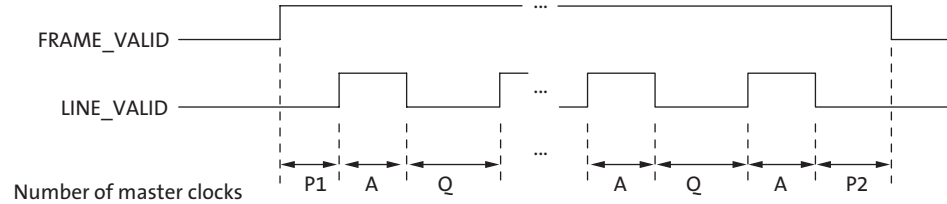


Table 4: Frame Time (Example Based on 848 x 638, 67 Frames Per Second)

Parameter	Name	Equation	Default Timing at 74.25 MHz
A	Active data time	Context A: R0x3008 - R0x3004 + 1 Context B: R0x308E - R0x308A + 1	848 pixel clocks = 11.42µs
P1	Frame start blanking	6 (fixed)	6 pixel clocks = 0.08µs
P2	Frame end blanking	6 (fixed)	6 pixel clocks = 0.08µs
Q	Horizontal blanking	R0x300C - A	802 pixel clocks = 10.8µs
A+Q (tROW)	Line (Row) time	R0x300C	1650 pixel clocks = 22.22µs
V	Vertical blanking	Context A: (R0x300A - (R0x3006 - R0x3002 + 1)) x (A + Q) Context B: ((R0x30AA - (R0x3090 - R0x308C + 1)) x (A + Q))	49500 pixel clocks = 666.67µs
Nrows x (A + Q)	Frame valid time	Context A: ((R0x3006 - R0x3002 + 1) * (A + Q)) - Q + P1 + P2 Context B: ((R0x3090 - R0x308C + 1) * (A + Q)) - Q + P1 + P2	1051910 pixel clocks = 14.17ms
F	Total frame time	V + (Nrows x (A + Q))	1102200 pixel clocks = 14.84ms

Sensor timing is shown in terms of pixel clock cycles (see Figure 8 on page 13). The recommended pixel clock frequency is 74.25 MHz. The vertical blanking and the total frame time equations assume that the integration time (coarse integration time plus fine integration time) is less than the number of active lines plus the blanking lines:

$$\text{Window Height} + \text{Vertical Blanking} \tag{EQ 1}$$

If this is not the case, the number of integration lines must be used instead to determine the frame time, (see Table 5). In this example, it is assumed that the coarse integration time control is programmed with 2000 rows and the fine shutter width total is zero.

For master mode, if the integration time registers exceed the total readout time, then the vertical blanking time is internally extended automatically to adjust for the additional integration time required. This extended value is **not** written back to the frame\_length\_lines register. The frame\_length\_lines register can be used to adjust frame-to-frame readout time. This register does not affect the exposure time but it may extend the readout time.

**Table 5: Frame Time: Long Integration Time**

Parameter	Name	Equation (Number of Pixel Clock Cycles)	Default Timing at 74.25 MHz
F'	Total frame time (long integration time)	Context A: $(R0x3012 \times (A + Q)) + R0x3014 + P1 + P2$ Context B: $(R0x3016 \times (A + Q)) + V R0x3018 + P1 + P2$	3,300,012 pixel clocks = 44.44ms

Note: The ARX550AT uses column parallel analog-digital converters; thus short line timing is not possible. The minimum total line time is 1650 columns (horizontal width + horizontal blanking). The minimum horizontal blanking is 802.

## Exposure

Total integration time is the result of `Coarse_Integration_Time` and `Fine_Integration_Time` registers, and depends also on whether manual or automatic exposure is selected.

The actual total integration time,  $t_{INT}$  is defined as:

$$t_{INT} = t_{INTCoarse} + t_{INTFine} \quad (\text{EQ 2})$$

= (number of lines of integration x line time) + (number of pixels of integration x pixel time)

where:

- Number of Lines of Integration (Auto Exposure Control: Enabled)  
When automatic exposure control (AEC) is enabled, the number of lines of integration may vary from frame to frame, with the limits controlled by `R0x311E` (minimum auto exposure time) and `R0x311C` (maximum auto exposure time).
- Number of Lines of Integration (Auto Exposure Control: Disabled)  
If AEC is disabled, the number of lines of integration equals the value in `R0x3012` (context A) or `R0x3016` (context B).
- Number of Pixels of Integration  
The number of fine shutter width pixels is independent of AEC mode (enabled or disabled):
  - Context A: the number of pixels of integration equals the value in `R0x3014`.
  - Context B: the number of pixels of integration equals the value in `R0x3018`.

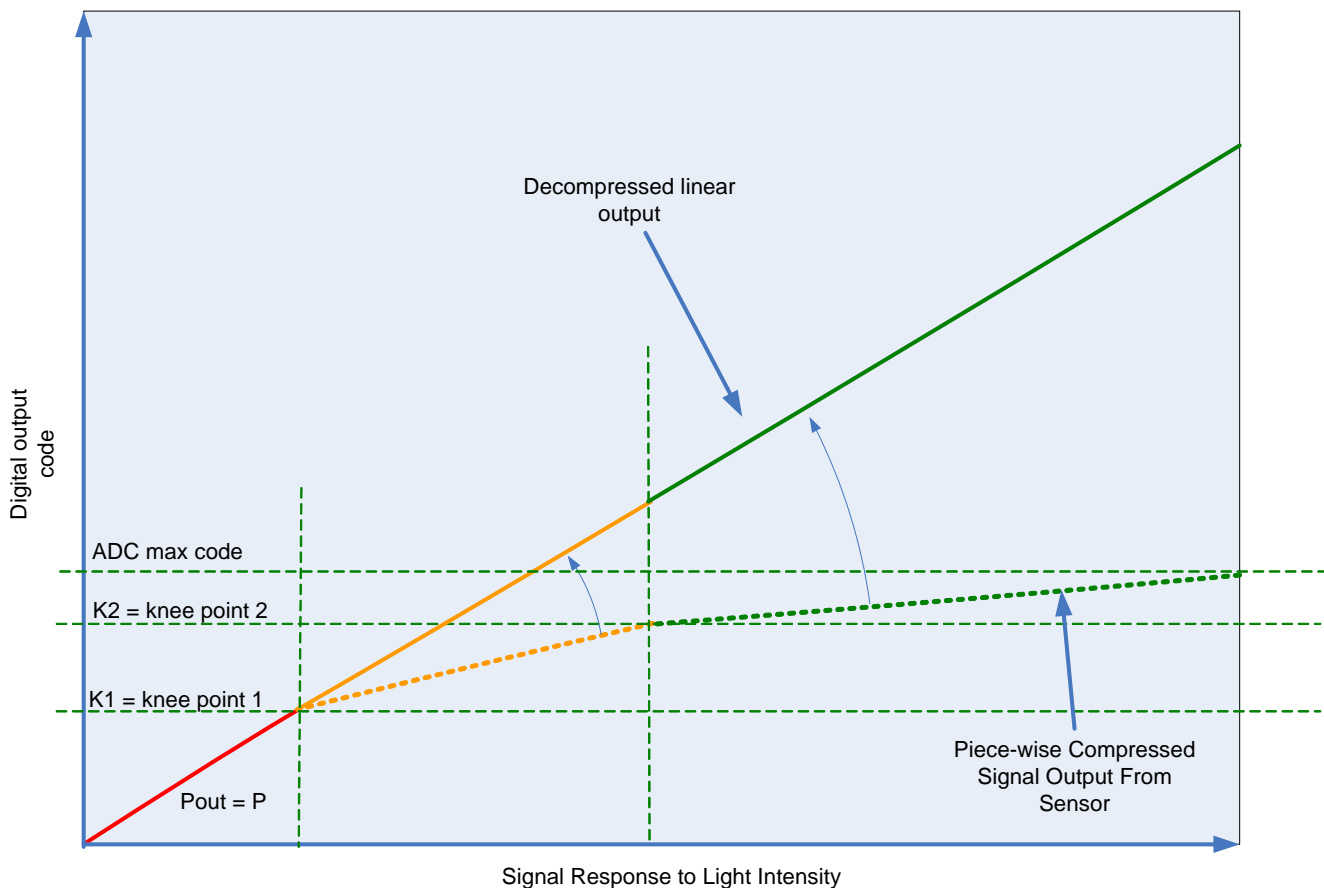
Typically, the value of the `Coarse_Integration_Time` register is limited to the number of lines per frame (which includes vertical blanking lines), such that the frame rate is not affected by the integration time. For more information on coarse and fine integration time settings limits, please refer to the Register Reference document.

**Note:** In HDR mode, there are specific limitations on `coarse_integration_time` due to the number of line buffers available. Please refer to the section called “HDR Specific Exposure Settings” on page 22.

## High Dynamic Range Mode

By default, the sensor powers up in Linear Mode, however, the ARX550AT can be configured to run in HDR mode. The HDR scheme used is multi-exposure HDR. This allows the sensor to handle 120dB of dynamic range. The sensor also features a linear mode. In HDR mode, the sensor sequentially captures three exposures by maintaining 3 separate read and reset pointers that are interleaved within the rolling shutter readout. The intermediate pixel values are stored in line buffers while waiting for the 3 exposures values to be present. As soon as a pixel's 3 exposure values are available, they are combined to create a linearized 20-bit value for each pixel's response. This 20-bit value is then optionally compressed back to a 12- or 14-bit value for output. For 14-bit mode, the compressing is lossless. In 12-bit mode, there is minimal data loss. Figure 17 shows the HDR data compression:

Figure 17: HDR Data Compression





The HDR mode is selected when Operation\_Mode\_Ctrl, R0x3082[1:0] = 0. Further controls on exposure time limits and compressing are controlled by R0x3082[5:2], R0x3073, and R0x31D0. More details can be found in the ARX550AT Register Reference.

In HDR mode, when compression is used, there are two types of knee-points: (i) T1/T2 and T2/T3 capture knee-points and (ii) POUT and POUT2 compression knee-points (Figure 17). Aligning the capture knee-points on top of the compression knee-points, can avoid code losses (SNR loss) in the compression. Table 6 and Table 7 below show the knee points for the different modes. Alternatively, the sensor automatically reports the knee points and can be read directly from registers R0x319A and R0x319C.

**Table 6: Knee Points for Compression to 14 Bits**

T1/T2 Exposure Ratio (R1) R0x3082[3:2]	P1	POUT <sup>1</sup> = P1	P2	POUT2 = (P2 - P1)/ R1 + POUT1	T2/T3 Exposure Ratio (R2) R0x3082[5:4]	P <sub>MAX</sub>	POUT <sub>MAX</sub> = (P <sub>MAX</sub> - P2)/ (R1*R2) + POUT2
4x	2 <sup>12</sup>	4096	2 <sup>14</sup>	7168	4x	2 <sup>16</sup>	10240
					8x	2 <sup>17</sup>	10752
					16x	2 <sup>18</sup>	11008
8x	2 <sup>12</sup>	4096	2 <sup>15</sup>	7680	4x	2 <sup>17</sup>	10752
					8x	2 <sup>18</sup>	11264
					16x	2 <sup>19</sup>	11520
16x	2 <sup>12</sup>	4096	2 <sup>16</sup>	7936	4x	2 <sup>18</sup>	11008
					8x	2 <sup>19</sup>	11520
					16x	2 <sup>20</sup>	11776

**Table 7: Knee Points for Compression to 12 Bits**

T1/T2 Exposure Ratio (R1) R0x3082[3:2]	P1	POUT <sup>1</sup> = P1	P2	POUT2 = (P2 - P1)/ (R1*4) + POUT1	T2/T3 Exposure Ratio (R2) R0x3082[5:4]	P <sub>MAX</sub>	POUT <sub>MAX</sub> = (P <sub>MAX</sub> - P2)/ (R1*R2*4) + POUT2
4x	2 <sup>11</sup>	2048	2 <sup>14</sup>	2944	4x	2 <sup>16</sup>	3712
					8x	2 <sup>17</sup>	3840
					16x	2 <sup>18</sup>	3904
8x	2 <sup>11</sup>	2048	2 <sup>15</sup>	3008	4x	2 <sup>17</sup>	3776
					8x	2 <sup>18</sup>	3904
					16x	2 <sup>19</sup>	3968
16x	2 <sup>11</sup>	2048	2 <sup>16</sup>	3040	4x	2 <sup>18</sup>	3808
					8x	2 <sup>19</sup>	3936
					16x	2 <sup>20</sup>	4000



## HDR Specific Exposure Settings

In HDR mode, pixel values are stored in line buffers while waiting for all 3 exposures to be available for final pixel data combination. There are 42 line buffers used to store intermediate T1 data. Due to this limitation, the maximum coarse integration time possible is equal to  $42 * T1 / T2$  lines.

For example, if  $R0x3082[3:2] = 2$ , the sensor is set to have  $T1 / T2$  ratio = 16x. Therefore the maximum number of integration lines is  $42 * 16 = 672$  lines. If coarse integration time is greater than this, the T2 integration time will stay at 42 lines. The sensor calculates the ratio internally, enabling the linearization to be performed. If companding is being used then relinearization would still follow the programmed ratio. For example, if the  $T1 / T2$  ratio was programmed to 16x but coarse integration was increased beyond 672, then one would still use the 16x relinearization formulas.

An additional limitation is the maximum number of exposure lines in relation to the `frame_length_lines` register. In Linear mode, as described on page 20, maximum `coarse_integration_time = frame_length_lines - 1`. However in HDR mode, since the coarse integration time register controls T1, the max coarse\_integration time is `frame_length_lines - 45`.

Putting the 2 criteria listed above together, it can be summarized as follows:

$$\text{maximum coarse\_integration\_time} = \text{minimum}(42 \times T1 / T2, \text{frame\_length\_lines} - 45) \quad (\text{EQ } 3)$$

In HDR mode, subline integration is not utilized. As such, fine integration time register changes will have no effect on the image.

There is also a limitation of the minimum number of exposure lines that can be used. This is summarized in the following formula:

$$\text{minimum coarse\_integration\_time} = (0.5 * (T1 / T2)) * (T2 / T3) \quad (\text{EQ } 4)$$

Due to limitation on the internal floating point calculation, the exact ratio specified by the `RATIO_T2_T3` (`R0x3082[5:4]`) may not be achievable.

## Motion Compensation

In typical multi-exposure HDR systems, motion artifacts can be created when objects move during the T1, T2 or T3 integration time. When this happens, edge artifacts can potentially be visible and might look like a ghosting effect.

To correct this feature, the ARX550AT has special 2D motion compensation circuitry that detects motion artifacts and corrects the image accordingly.

There are two motion compensation options available. One using the default HDR motion compensation feature can be enabled by setting `R0x318C[14] = 1`. Additional parameters are available to control the extent of motion detection and correction as per the requirements of the specific application. These can be set in `R0x318C-R0x3190`. The other is using the DLO method of HDR combination. When using DLO, `R0x318C[14]` is ignored. DLO is enabled by setting `R0x3190[13] = 1`. Noise filtering is enabled by setting `R0x3190[14] = 1`. For more information, please refer to the ARX550AT Register Reference document.



## Real-Time Context Switching

In the ARX550AT, the user may switch between two full register sets (listed in Table 8) by writing to a context switch change bit in R0x30B0[13]. This context switch will change all registers (no shadowing) at the frame start time and have the new values apply to the immediate next exposure and readout time.

**Table 8: Real-Time Context-Switchblade Registers**

Register Description	Register Number	
	Context A	Context B
Y_Addr_Start	R0x3002	R0x308C
X_Addr_Start	R0x3004	R0x308A
Y_Addr_End	R0x3006	R0x3090
X_Addr_End	R0x3008	R0x308E
Coarse_Integration_Time	R0x3012	R0x3016
Fine_Integration_Time	R0x3014	R0x3018
Y_Odd_Inc	R0x30A6	R0x30A8
Green1_Gain (GreenR)	R0x3056	R0x30BC
Blue_Gain	R0x3058	R0x30BE
Red_Gain	R0x305A	R0x30C0
Green2_Gain (GreenB)	R0x305C	R0x30C2
Global_Gain	R0x305E	R0x30C4
Frame_Length_Lines	R0x300A	R0x30AA
Digital_Binning	R0x3032[1:0]	R0x3032[5:4]
Operation_Mode_Ctrl	0x3082	0x3084

## Features

See the ARX550AT Register Reference for additional details.

### Reset

The ARX550AT may be reset by using RESET\_BAR (active LOW) or the reset register.

### Hard Reset of Logic

The RESET\_BAR pin can be connected to an external RC circuit for simplicity. The recommended RC circuit uses a 10k $\Omega$  resistor and a 0.1 $\mu$ F capacitor. The rise time for the RC circuit is 1 $\mu$ s maximum.

### Soft Reset of Logic

Soft reset of logic is controlled by the R0x301A Reset register. Bit 0 is used to reset the digital logic of the sensor while preserving the existing two-wire serial interface configuration. Furthermore, by asserting the soft reset, the sensor aborts the current frame it is processing and starts a new frame. This bit is a self-resetting bit and also returns to “0” during two-wire serial interface reads.

### Clocks

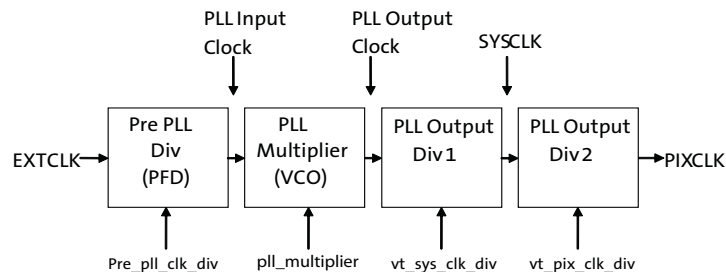
The ARX550AT requires one clock input (EXTCLK).

## PLL-Generated Master Clock

The PLL contains a prescaler to divide the input clock applied on EXTCLK, a VCO to multiply the prescaler output, and two divider stages to generate the output clock. The clocking structure is shown in Figure 18. PLL control registers can be programmed to generate desired master clock frequency.

**Note:** The PLL control registers must be programmed while the sensor is in the software Standby state. The effect of programming the PLL divisors while the sensor is in the streaming state is undefined.

**Figure 18: PLL-Generated Master Clock PLL Setup**



The PLL is enabled by default on the ARX550AT. To configure and use the PLL:

1. Bring the ARX550AT up as normal; make sure that  $f_{EXTCLK}$  is between 6 and 50MHz and ensure the sensor is in software standby ( $R0x301A-B[2]=0$ ). PLL control registers must be set in software standby.
2. Set `pll_multiplier`, `pre_pll_clk_div`, `vt_sys_clk_siv`, and `vt_pix_clk_div` based on the desired input ( $f_{EXTCLK}$ ) and output ( $f_{PIXCLK}$ ) frequencies. Determine the M, N, P1, and P2 values to achieve the desired  $f_{PIXCLK}$  using this formula:

$$f_{PIXCLK} = (f_{EXTCLK} \times M) / (N \times P1 \times P2)$$

where

$$M = PLL\_Multiplier$$

$$N = Pre\_PLL\_Clk\_Div$$

$$P1 = Vt\_Sys\_Clk\_Div$$

$$P2 = Vt\_PIX\_Clk\_Div$$

3. Wait 1ms to ensure that the VCO has locked.
4. Set  $R0x301A[2] = 1$  to enable streaming and to switch from EXTCLK to the PLL-generated clock.

- Notes:**
1. The PLL can be bypassed at any time (sensor will run directly off EXTCLK) by setting  $R0x30B0[14]=1$ . However, only the parallel data interface is supported with the PLL bypassed. The PLL is always bypassed in software standby mode. To disable the PLL, the sensor must be in standby mode ( $R0x301A[2] = 0$ )
  2. The following restrictions apply to the PLL tuning parameters:

$$32 \leq M \leq 255$$

$$1 \leq N \leq 63$$

$$1 \leq P1 \leq 16$$

$$4 \leq P2 \leq 16$$

3. The VCO frequency, defined as  $f_{VCO} = f_{EXTCLK} \times M / N$  must be within 384-768MHz.





When PLL\_Multiplier is odd,  $2 \text{ MHz} \leq f_{\text{EXTCLK}} / N \leq 24 \text{ MHz}$ .

4. If using HiSPi output mode, use the following settings for P2 (Vt\_Pix\_Clk\_Div).
  - 4a. If 20-bit mode (4 lanes): set P2 (R0x302A) = 5
  - 4b. If 12-/14-bit mode (3 lanes): set P2 (R0x302A) = 5
  - 4c. If 12-bit mode (2 lanes): set P2 (R0x302A) = 6
  - 4d. If 14-bit mode (2 lanes): set P2 (R0x302A) = 7

The user can utilize the Register Wizard tool accompanying DevWare to generate PLL settings given a supplied input clock and desired output frequency.

### Spread-Spectrum Clocking

To facilitate improved EMI performance, the external clock input allows for spread spectrum sources, with no impact on image quality. Limits of the spread spectrum input clock are:

- 5% maximum clock modulation
- 35 KHz maximum modulation frequency
- Accepts triangle wave modulation, as well as sine or modified triangle modulations.

### Stream/Standby Control

The sensor supports two standby modes: Hard Standby and Soft Standby. In both modes, external clock can be optionally disabled to further minimize power consumption. If this is done, then the “Power-Up Sequence” on page 52 must be followed.

#### Soft Standby

Soft Standby is a low power state that is controlled through register R0x301A[2]. Depending on the value of R0x301A[4], the sensor will go to standby after completion of the current frame readout (default behavior) or after the completion of the current row readout. When the sensor comes back from Soft Standby, previously written register settings are still maintained. Soft standby will not occur if the TRIGGER pin is held high.

A specific sequence needs to be followed to enter and exit from Soft Standby.

Entering Soft Standby:

1. R0x301A[12] = 1 if serial mode was used
2. Set R0x301A[2] = 0 and drive the TRIGGER pin LOW.
3. External clock can be turned off to further minimize power consumption (Optional)

Exiting Soft Standby:

1. Enable external clock if it was turned off
2. Set R0x301A[2] = 1 or drive the TRIGGER pin HIGH.
3. R0x301A[12] = 0 if serial mode is used

#### Hard Standby

Hard Standby puts the sensor in lower power state but will not maintain register settings. When the sensor comes back from Hard Standby, all register settings are set back to default values.

A specific sequence needs to be followed to enter and exit from Hard Standby.

Entering Hard Standby:

1. R0x301A[8] = 1
2. R0x301A[12] = 1 if serial mode was used

3. Assert STANDBY pin
4. External clock can be turned off to further minimize power consumption (Optional)

Exiting Hard Standby:

1. Enable external clock if it was turned off
2. De-assert STANDBY pin
3. Set R0x301A[8] = 0

## Window Control

Registers `x_addr_start`, `x_addr_end`, `y_addr_start`, and `y_addr_end` control the size and starting coordinates of the image window.

The exact window height and width out of the sensor is determined by the difference between the Y address start and end registers or the X address start and end registers, respectively.

The ARX550AT allows different window sizes for context A and context B.

## Blanking Control

Horizontal blank and vertical blank times are controlled by the `line_length_pck` and `frame_length_lines` registers, respectively.

- Horizontal blanking is specified in terms of pixel clocks. It is calculated by subtracting the X window size from the `line_length_pck` register. The minimum horizontal blanking is 802 pixel clocks.
- Vertical blanking is specified in terms of numbers of lines. It is calculated by subtracting the Y window size from the `frame_length_lines` register. The minimum vertical blanking is 26 lines.

The actual imager timing can be calculated using Table 4 on page 18 and Table 5 on page 19, which describe the Line Timing and FV/LV signals.

When in HDR mode, the maximum size is 848 x 638.

## Readout Modes

### Digital Binning

By default, the resolution of the output image is the full width and height of the FOV as defined above. The output resolution can be reduced by digital binning. For RGB and monochrome mode, this is set by the register R0x3032. For Context A, use bits [1:0], for Context B, use bits [5:4]. Available settings are:

00 = No binning

01 = Horizontal binning

10 = Horizontal and vertical binning

Binning gives the advantage of reducing noise at the cost of reduced resolution. When both horizontal and vertical binning are used, 2x improvement in SNR is achieved therefore improving low light performance. Binning results in a smaller resolution image, but the FOVs between binned and unbinned images are the same.

### Bayer Space Resampling

All of the pixels in the FOV contribute to the output image in digital binning mode. This can result in a more pleasing output image with reduced subsampling artifacts. It also improves low-light performance. For RGB mode, resampling can be enabled by setting of register 0x306E[4] = 1.

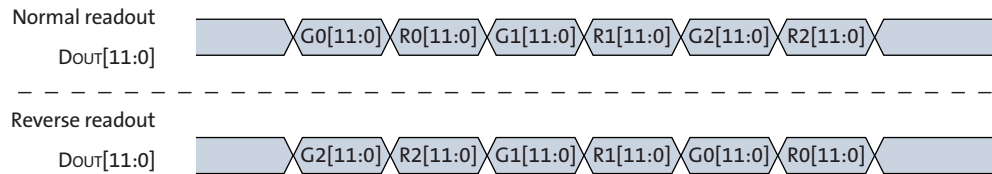
### Mirror

#### Column Mirror Image

By setting R0x3040[14] = 1, the readout order of the columns is reversed, as shown in Figure 19. The starting Bayer color pixel is maintained in this mode by a 1-pixel shift in the imaging array.

When using horizontal mirror mode, the user must retrigger column correction. Please refer to the column correction section to see the procedure for column correction retriggering. Bayer resampling must be enabled, by setting bit 4 of register 0 x 306E[4] = 1.

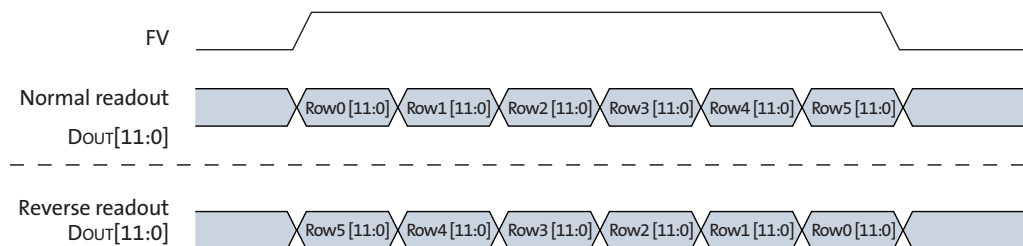
**Figure 19: Six Pixels in Normal and Column Mirror Readout Modes**



#### Row Mirror Image

By setting R0x3040[15] = 1, the readout order of the rows is reversed as shown in Figure 20. The starting Bayer color pixel is maintained in this mode by a 1-pixel shift in the imaging array. When using horizontal mirror mode, the user must retrigger column correction. Please refer to the column correction section to see the procedure for column correction retriggering.

**Figure 20: Six Rows in Normal and Row Mirror Readout Modes**



## Maintaining a Constant Frame Rate

Maintaining a constant frame rate while continuing to have the ability to adjust certain parameters is the desired scenario. This is not always possible, however, because register updates are synchronized to the read pointer, and the shutter pointer for a frame is usually active during the readout of the previous frame. Therefore, any register changes that could affect the row time or the set of rows sampled causes the shutter pointer to start over at the beginning of the next frame.

By default, the following register fields cause a “bubble” in the output rate (that is, the vertical blank increases for one frame) if they are written in video mode, even if the new value would not change the resulting frame rate. The following list shows only a few examples of such registers; a full listing can be seen in the ARX550AT Register Reference.

- x\_addr\_start
- x\_addr\_end
- y\_addr\_start
- y\_addr\_end
- frame\_length\_lines
- line\_length\_pclk
- coarse\_integration\_time
- fine\_integration\_time
- read\_mode

The size of this bubble is  $(\text{integration\_time} \times t_{\text{ROW}})$ , calculating the row time according to the new settings.

The Coarse\_Integration\_Time and Fine\_Integration\_Time fields may be written to without causing a bubble in the output rate under certain circumstances. Because the shutter sequence for the next frame often is active during the output of the current frame, this would not be possible without special provisions in the hardware. Writes to these registers take effect two frames after the frame they are written, which allows the integration time to increase without interrupting the output or producing a corrupt frame (as long as the change in integration time does not affect the frame time).

## Synchronizing Register Writes to Frame Boundaries

Changes to most register fields that affect the size or brightness of an image take effect on the frame after the one during which they are written. These fields are noted as “synchronized to frame boundaries” in the ARX550AT Register Reference. To ensure that a register update takes effect on the next frame, the write operation must be completed after the leading edge of FV and before the trailing edge of FV.

As a special case, in single frame mode, register writes that occur after FV but before the next trigger will take effect immediately on the next frame, as if there had been a Restart. However, if the trigger for the next frame occurs during FV, register writes take effect as with video mode.

Fields not identified as being frame-synchronized are updated immediately after the register write is completed. The effect of these registers on the next frame can be difficult to predict if they affect the shutter pointer.

## Restart

To restart the ARX550AT at any time during the operation of the sensor, write a “1” to the Restart register (R0x301A[1] = 1). This has two effects: first, the current frame is interrupted immediately. Second, any writes to frame-synchronized registers and the shutter width registers take effect immediately, and a new frame starts (in video mode). The current row completes before the new frame is started, so the time between issuing the Restart and the beginning of the next frame can vary by about  $t_{ROW}$ .

## Image Acquisition Modes

The ARX550AT supports two image acquisition modes: video (a.k.a. master) and single frame.

### Video

The video mode takes pictures by scanning the rows of the sensor twice. On the first scan, each row is released from reset, starting the exposure. On the second scan, the row is sampled, processed, and returned to the reset state. The exposure for any row is therefore the time between the first and second scans. Each row is exposed for the same duration, but at slightly different point in time, which can cause a shear in moving subjects as is typical with electronic rolling shutter sensors.

### Single Frame

The single-frame mode operates similar to the video mode. It also scans the rows of the sensor twice, first to reset the rows and second to read the rows. Unlike video mode where a continuous stream of images are output from the image sensor, the single-frame mode outputs a single frame in response to a high state placed on the TRIGGER input pin. As long as the TRIGGER pin is held in a high state, new images will be read out. After the TRIGGER pin is returned to a low state, the image sensor will not output any new images and will wait for the next high state on the TRIGGER pin.

The TRIGGER pin state is detected during the vertical blanking period (that is, the FV signal is low). The pin is level sensitive rather than edge sensitive. As such, image integration will only begin when the sensor detects that the TRIGGER pin has been held high for 3 consecutive clock cycles. If the trigger signal is applied to multiple sensors at the same time, the single frame output of the sensors will be synchronized to within 1 PIXCLK if is PLL disabled or 2 PIXCLKs if PLL is enabled.

During integration time of single-frame mode and video mode, the FLASH output pin is at high.

### Continuous Trigger

In certain applications, multiple sensors need to have their video streams synchronized (for example, surround view or panorama view applications). The TRIGGER pin can also be used to synchronize output of multiple image sensors together and still get a video stream. This is called continuous trigger mode. Continuous trigger is enabled by holding the TRIGGER pin high. Alternatively, the TRIGGER pin can be held high until the stream bit is enabled (R0x301A[2]=1) then can be released for continuous synchronized video streaming.

If the TRIGGER pins for all connected ARX550AT sensors are connected to the same control signal, all sensors will receive the trigger pulse at the same time. If they are configured to have the same frame timing, then the usage of the TRIGGER pin guarantees that all sensors will be synchronized within 1 PIXCLK cycle if PLL is disabled, or 2 PIXCLK cycles if PLL is enabled.

With continuous trigger mode, the application can now make use of the video streaming mode while guaranteeing that all sensor outputs are synchronized. As long as the initial trigger for the sensors takes place at the same time, all subsequent video streams will be synchronous.

## Temperature Sensor

The ARX550AT sensor has a built-in PTAT-based temperature sensor, accessible through registers, that is capable of measuring die junction temperature.

The temperature sensor can be enabled by writing  $R0x30B4[0]=1$  and  $R0x30B4[4]=1$ . After this, the temperature sensor output value can be read from  $R0x30B2[10:0]$ .

The value read out from the temperature sensor register is an ADC output value that needs to be converted downstream to a final temperature value in degrees Celsius. Since the PTAT device characteristic response is quite linear in the temperature range of operation required, a simple linear function in the format of listed in the equation below can be used to convert the ADC output value to the final temperature in degrees Celsius.

$$\text{Temperature} = \text{slope} \times R0x30B2[10:0] + T_0 \quad (\text{EQ } 5)$$

For this conversion, a minimum of 2 known points are needed to construct the line formula by identifying the slope and y-intercept " $T_0$ ". These calibration values can be read from registers  $R0x30C6$  and  $R0x30C8$  which correspond to value read at  $70^\circ\text{C}$  and  $55^\circ\text{C}$  respectively. Once read, the slope and y-intercept values can be calculated and used in the above equation.

For more information on the temperature sensor registers, please refer to the ARX550AT Register Reference.

## Automatic Exposure Control

The integrated automatic exposure control (AEC) is responsible for ensuring that optimal settings of exposure and gain are computed and updated every other frame. AEC can be enabled or disabled by  $R0x3100[0]$ .

When AEC is disabled ( $R0x3100[0] = 0$ ), the sensor uses the manual exposure value in coarse and fine shutter width registers and the manual gain value in the gain registers.

When AEC is enabled ( $R0x3100[0]=1$ ), the target luma value in linear mode is set by  $R0x3102$ . For the ARX550AT this target luma has a default value of  $0x0800$  or about half scale. For HDR mode, the luma target maximum auto exposure value is limited by  $R0x311C$ ; the minimum auto exposure is limited by  $R0x311E$ . These values are in units of line-times. In linear mode the minimum integration time is 3 line times.

The exposure control measures current scene luminosity by accumulating a histogram of pixel values while reading out a frame. It then compares the current luminosity to the desired output luminosity. Finally, the appropriate adjustments are made to the exposure time and gain. All pixels are used, regardless of color or mono mode. In HDR mode,

the coarse and fine integration time is the longest integration time of the three integration, the other two shorter integration are generated automatically base on the pre-defined exposure ratios.

AEC does not work if digital binning is enabled.

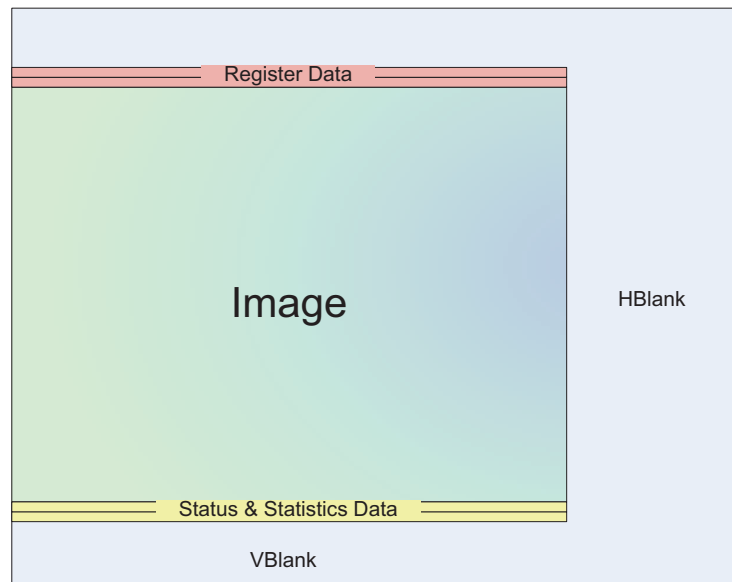
## Embedded Data and Statistics

The ARX550AT has the capability to output image data and statistics embedded within the frame timing. There are 2 types of information embedded within the frame readout:

1. Embedded Data: If enabled, these are displayed on the 2 rows immediately before the first active pixel row is displayed.
2. Embedded Statistics: If enabled, these are displayed on the 2 rows immediately after the last active pixel row is displayed.

**Note:** Both embedded statistics and data must be enabled and disabled together.

**Figure 21: Frame Format with Embedded Data Lines Enabled**



## Embedded Data

The embedded data contains the configuration of the image being displayed. This includes all register settings used to capture the current frame. The registers embedded in these rows are as follows:

Line 1: Registers R0x3000 to R0x312F

Line 2: Registers R0x3136 to R0x31BE, R0x31D0 to R0x31FF

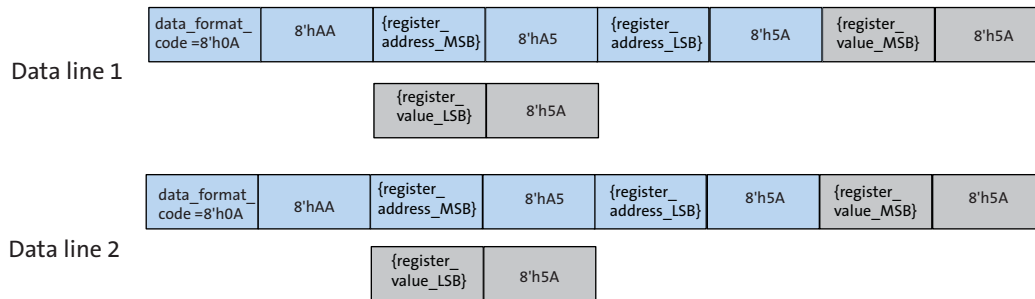
**Note:** All non-defined registers will have a value of 0.

In parallel mode, since the pixel word depth is 12-bits/pixel, the sensor 16-bit register data will be transferred over 2 pixels where the register data will be broken up into 8 MSB and 8 LSB. The alignment of the 8-bit data will be on the 8 MSB bits of the 12-bit pixel word. For example, of a register value of 0x1234 is to be transmitted, it will be transmitted over 2, 12-bit pixels as follows: 0x120, 0x340.

The first pixel of each line in the embedded data is a tag value of 0x0A0. This signifies that all subsequent data is 8 bit data aligned to the MSB of the 12-bit pixel.

The figure below summarizes how the embedded data transmission looks like. It should be noted that data, as shown in Figure 22, is aligned to the MSB of each word:

**Figure 22: Format of Embedded Data Output within a Frame**



The data embedded in these rows are as follows:

- 0x0A0 - identifier
- 0xAA0
- Register Address MSB of the first register
- 0xA50
- Register Address LSB of the first register
- 0x5A0
- Register Value MSB of the first register addressed
- 0x5A0
- Register Value LSB of the first register addressed
- 0x5A0
- Register Value MSB of the register at first address + 2
- 0x5A0
- Register Value LSB of the register at first address + 2
- 0x5A0
- etc.



Embedded Statistics

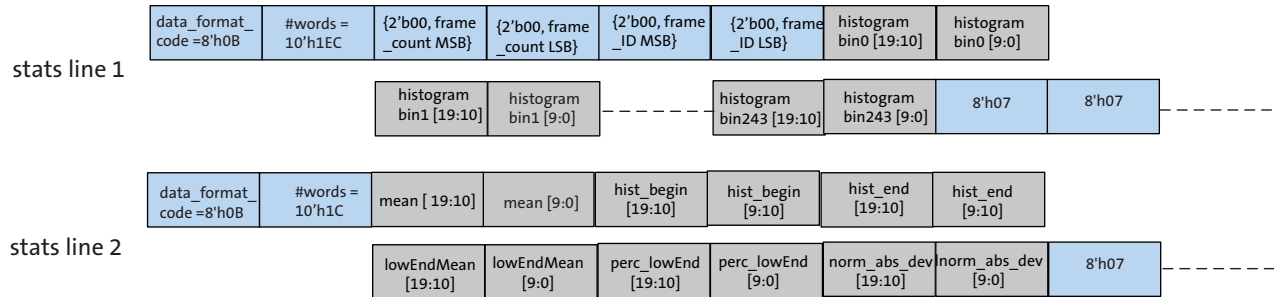
The embedded statistics contain frame identifiers and histogram information of the image in the frame. This can be used by downstream auto-exposure algorithm blocks to make decisions about exposure adjustment.

This histogram is divided into 244 bins with a bin spacing of 64 evenly spaced bins for digital code values 0 to  $2^{12}$ , 120 evenly spaced bins for values  $2^{12}$  to  $2^{16}$ , 60 evenly spaced bins for values  $2^{16}$  to  $2^{20}$ . In HDR with a 16x exposure ratio, this approximately corresponds to the T1, T2, T3 exposures respectively.

The first pixel of each line in the embedded statistics is a tag value of 0x0B0. This signifies that all subsequent statistics data is 10 bit data aligned to the MSB of the 12-bit pixel.

The figure below summarizes how the embedded statistics transmission looks like. It should be noted that data, as shown in Figure 23, is aligned to the msb of each word:

Figure 23: Format of Embedded Statistics Output within a Frame



The statistics embedded in these rows are as follows:

Line 1:

- 0x0B0 - identifier
- Register 0x303A - frame\_count
- Register 0x31D2 - frame ID
- Histogram data - histogram bins 0-243

Line 2:

- 0x0B0 (identifier)
- Mean
- Histogram Begin
- Histogram End
- Low End Histogram Mean
- Percentage of Pixels Below Low End Mean
- Normal Absolute Deviation



## Gain

### Digital Gain

Digital gain can be controlled globally by R0x305E (Context A) or R0x30C4 (Context B). There are also registers that allow individual control over each Bayer color (GreenR, GreenB, Red, Blue).

The format for digital gain setting is *xxx.yyyy* where 0b00100000 represents a 1x gain setting and 0b00110000 represents a 1.5x gain setting. The step size for *yyyy* is 0.03125 while the step size for *xxx* is 1. Therefore to set a gain of 2.09375 one would set digital gain to 01000011.

### Analog Gain

The ARX550AT has a column parallel architecture and therefore has an Analog gain stage per column.

There are 2 stages of analog gain, the first stage can be set to 1x, 2x, 4x or 8x. This can be set in R0x30B0[5:4] (Context A) or R0x30B0[9:8] (Context B). The second stage is capable of setting an additional 1x or 1.25x gain which can be set in R0x3EE4[8].

This allows the maximum possible analog gain to be set to 10x.

### Black Level Correction

Black level correction is handled automatically by the image sensor. No adjustments are provided except to enable or disable this feature. Setting R0x30EA[15] disables the automatic black level correction. Default setting is for automatic black level calibration to be enabled.

The automatic black level correction measures the average value of pixels from a set of optically black lines in the image sensor. The pixels are averaged as if they were light-sensitive and passed through the appropriate gain. This line average is then digitally low-pass filtered over many frames to remove temporal noise and random instabilities associated with this measurement. The new filtered average is then compared to a minimum acceptable level, low threshold, and a maximum acceptable level, high threshold. If the average is lower than the minimum acceptable level, the offset correction value is increased by a predetermined amount. If it is above the maximum level, the offset correction value is decreased by a predetermined amount. The high and low thresholds have been calculated to avoid oscillation of the black level from below to above the targeted black level.

At high gain, long exposure, and high temperature conditions, the performance of this function can degrade.

### Row-wise Noise Correction

Row (Line)-wise Noise Correction is handled automatically by the image sensor. No adjustments are provided except to enable or disable this feature. Clearing R0x3044[10] disables the row noise correction. Default setting is for row noise correction to be enabled.

Row-wise noise correction is performed by calculating an average from a set of optically black pixels at the start of each line and then applying each average to all the active pixels of the line.

## Column Correction

The ARX550AT uses column parallel readout architecture to achieve fast frame rate. Without any corrections, the consequence of this architecture is that different column signal paths have slightly different offsets that might show up on the final image as structured fixed pattern noise.

ARX550AT has column correction circuitry that measures this offset and removes it from the image before output. This is done by sampling dark rows containing tied pixels and measuring an offset coefficient per column to be corrected later in the signal path.

Column correction can be enabled/disabled using R0x30D4[15]. Additionally, the number of rows used for this offset coefficient measurement is set in R0x30D4[3:0]. By default this register is set to 0x7, which means that 8 rows are used. This is the recommended value. Other control features regarding column correction can be viewed in the ARX550AT Register reference. Any changes to column correction settings need to be done when the sensor streaming is disabled and the appropriate triggering sequence must be followed as described below.

### Column Correction Triggering

Column correction requires a special procedure to trigger depending on which state the sensor is in.

#### Column Triggering on Startup

When streaming the sensor for the first time after powerup, a special sequence needs to be followed to make sure that the column correction coefficients are internally calculated properly.

1. Follow proper power up sequence for power supplies and clocks.
2. Apply sequencer settings if needed (Linear or HDR mode).
3. Apply frame timing and PLL settings as required by application.
4. Set analog gain to 1x and low conversion gain (R0x30B0=0x1300)..
5. Enable column correction and settings.
6. Disable auto re-trigger for change in conversion gain or col\_gain, and enable column correction always. (R0x30BA = 0x0008).
7. Enable streaming (R0x301A[2] = 1) or drive the TRIGGER pin HIGH.
8. Wait 9 frames to settle. (First frame after coming up from standby is internally column correction disabled.)
9. Disable streaming (R0x301A[2] = 0) or drive the TRIGGER pin LOW.

After this, the sensor has calculated the proper column correction coefficients and the sensor is ready for streaming. Any other settings (including gain, integration time and conversion gain etc.) can be done afterwards without affecting column correction.

#### Column Correction Retriggering due to Mode Change

Since column offsets is sensitive to changes in the analog signal path, such changes require column correction circuitry to be retriggered for the new path. Examples of such mode changes include: horizontal mirror, vertical mirror, changes to column correction settings.

After such changes occur, the following sequence needs to take place:

1. Disable streaming (R0x301A[2]=0) or drive the TRIGGER pin LOW.
2. Enable streaming (R0x301A[2]=1) or drive the TRIGGER pin HIGH.
3. Wait 9 frames to settle.



**Note:** The above steps are not needed if the sensor is being reset (soft or hard reset) upon the mode change.

## Defective Pixel Correction

Defective Pixel Correction is intended to compensate for defective pixels by replacing their value with a value based on the surrounding pixels, making the defect less noticeable to the human eye. The defect pixel correction feature supports up to 200 defects. The locations of defective pixels are stored in a table on chip during the manufacturing process; this table is accessible through the two-wire serial interface. There is no provision for later augmenting the defect table entries.

The DPC algorithm is one-dimensional, calculating the resulting averaged pixel value based on nearby pixels within a row. The algorithm distinguishes between color and monochrome parts; for color parts, the algorithm uses nearest neighbor in the same color plane.

At high gain, long exposure, and high temperature conditions, the performance of this function can degrade.

## Test Patterns

The ARX550AT has the capability of injecting a number of test patterns into the top of the datapath to debug the digital logic. With one of the test patterns activated, any of the datapath functions can be enabled to exercise it in a deterministic fashion. Test patterns are selected by Test\_Pattern\_Mode register (R0x3070). Only one of the test patterns can be enabled at a given point in time by setting the Test\_Pattern\_Mode register according to Table 9. When test patterns are enabled the active area will receive the value specified by the selected test pattern and the dark pixels will receive the value in Test\_Pattern\_Green (R0x3074 and R0x3078) for green pixels, Test\_Pattern\_Blue (R0x3076) for blue pixels, and Test\_Pattern\_Red (R0x3072) for red pixels.

**Note:** Turn off black level calibration (BLC) when Test Pattern is enabled.

**Table 9: Test Pattern Modes**

Test_Pattern_Mode	Test Pattern Output
0	No test pattern (normal operation)
1	Solid color test pattern
2	100% color bar test pattern
3	Fade-to-gray color bar test pattern
256	Walking 1s test pattern (12-bit)

## Color Field

When the color field mode is selected, the value for each pixel is determined by its color. Green pixels will receive the value in Test\_Pattern\_Green, red pixels will receive the value in Test\_Pattern\_Red, and blue pixels will receive the value in Test\_Pattern\_Blue.

## Vertical Color Bars

When the vertical color bars mode is selected, a typical color bar pattern will be sent through the digital pipeline.



### Walking 1s

When the walking 1s mode is selected, a walking 1s pattern will be sent through the digital pipeline. The first value in each row is 1.



## Two-Wire Serial Register Interface

The two-wire serial interface bus enables read/write access to control and status registers within the ARX550AT. This interface is designed to be compatible with the electrical characteristics and transfer protocols of the two-wire serial interface specification.

The interface protocol uses a master/slave model in which a master controls one or more slave devices. The sensor acts as a slave device. The master generates a clock (SCLK) that is an input to the sensor and is used to synchronize transfers. Data is transferred between the master and the slave on a bidirectional signal (SDATA). SDATA is pulled up to VDD\_IO off-chip by a 1.5k $\Omega$  resistor. Either the slave or master device can drive SDATA LOW—the interface protocol determines which device is allowed to drive SDATA at any given time.

The protocols described in the two-wire serial interface specification allow the slave device to drive SCLK LOW; the ARX550AT uses SCLK as an input only and therefore never drives it LOW.

### Protocol

Data transfers on the two-wire serial interface bus are performed by a sequence of low-level protocol elements:

1. a (repeated) start condition
2. a slave address/data direction byte
3. an (a no) acknowledge bit
4. a message byte
5. a stop condition

The bus is idle when both SCLK and SDATA are HIGH. Control of the bus is initiated with a start condition, and the bus is released with a stop condition. Only the master can generate the start and stop conditions.

### Start Condition

A start condition is defined as a HIGH-to-LOW transition on SDATA while SCLK is HIGH. At the end of a transfer, the master can generate a start condition without previously generating a stop condition; this is known as a “repeated start” or “restart” condition.

### Stop Condition

A stop condition is defined as a LOW-to-HIGH transition on SDATA while SCLK is HIGH.

### Data Transfer

Data is transferred serially, 8 bits at a time, with the MSB transmitted first. Each byte of data is followed by an acknowledge bit or a no-acknowledge bit. This data transfer mechanism is used for the slave address/data direction byte and for message bytes.

One data bit is transferred during each SCLK clock period. SDATA can change when SCLK is LOW and must be stable while SCLK is HIGH.

### Slave Address/Data Direction Byte

Bits [7:1] of this byte represent the device slave address and bit [0] indicates the data transfer direction. A “0” in bit [0] indicates a WRITE, and a “1” indicates a READ. The default slave addresses used by the ARX550AT are 0x20 (write address) and 0x21 (read



address) in accordance with the specification. Alternate slave addresses of 0x30 (write address) and 0x31 (read address) can be selected by enabling and asserting the SADDR input.

An alternate slave address can also be programmed through R0x31FC.

### Message Byte

Message bytes are used for sending register addresses and register write data to the slave device and for retrieving register read data.

### Acknowledge Bit

Each 8-bit data transfer is followed by an acknowledge bit or a no-acknowledge bit in the SCLK clock period following the data transfer. The transmitter (which is the master when writing, or the slave when reading) releases SDATA. The receiver indicates an acknowledge bit by driving SDATA LOW. As for data transfers, SDATA can change when SCLK is LOW and must be stable while SCLK is HIGH.

### No-Acknowledge Bit

The no-acknowledge bit is generated when the receiver does not drive SDATA LOW during the SCLK clock period following a data transfer. A no-acknowledge bit is used to terminate a read sequence.

### Typical Sequence

A typical READ or WRITE sequence begins by the master generating a start condition on the bus. After the start condition, the master sends the 8-bit slave address/data direction byte. The last bit indicates whether the request is for a read or a write, where a “0” indicates a write and a “1” indicates a read. If the address matches the address of the slave device, the slave device acknowledges receipt of the address by generating an acknowledge bit on the bus.

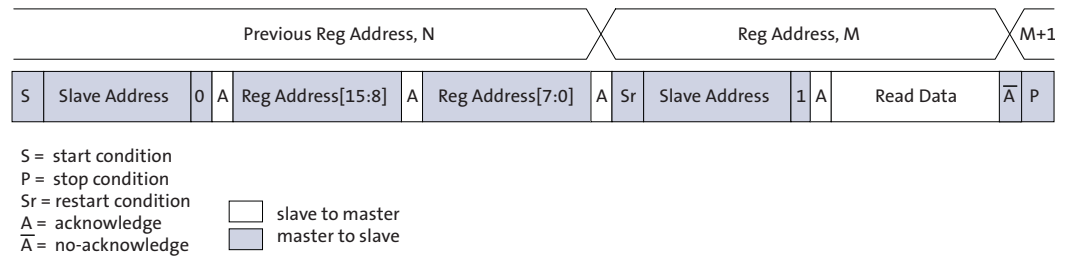
If the request was a WRITE, the master then transfers the 16-bit register address to which the WRITE should take place. This transfer takes place as two 8-bit sequences and the slave sends an acknowledge bit after each sequence to indicate that the byte has been received. The master then transfers the data as an 8-bit sequence; the slave sends an acknowledge bit at the end of the sequence. The master stops writing by generating a (re)start or stop condition.

If the request was a READ, the master sends the 8-bit write slave address/data direction byte and 16-bit register address, the same way as with a WRITE request. The master then generates a (re)start condition and the 8-bit read slave address/data direction byte, and clocks out the register data, eight bits at a time. The master generates an acknowledge bit after each 8-bit transfer. The slave’s internal register address is automatically incremented after every 8 bits are transferred. The data transfer is stopped when the master sends a no-acknowledge bit.

### Single READ from Random Location

This sequence (Figure 24) starts with a dummy WRITE to the 16-bit address that is to be used for the READ. The master terminates the WRITE by generating a restart condition. The master then sends the 8-bit read slave address/data direction byte and clocks out one byte of register data. The master terminates the READ by generating a no-acknowledge bit followed by a stop condition. Figure 24 shows how the internal register address maintained by the ARX550AT is loaded and incremented as the sequence proceeds.

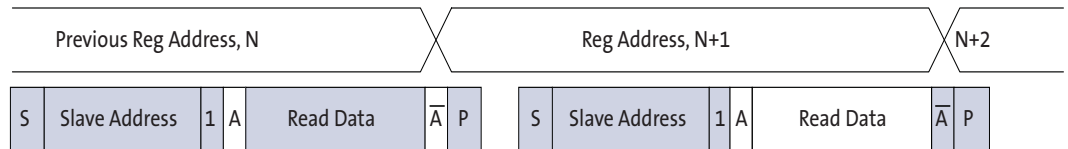
Figure 24: Single READ from Random Location



### Single READ from Current Location

This sequence (Figure 25) performs a read using the current value of the ARX550AT internal register address. The master terminates the READ by generating a no-acknowledge bit followed by a stop condition. The figure shows two independent READ sequences.

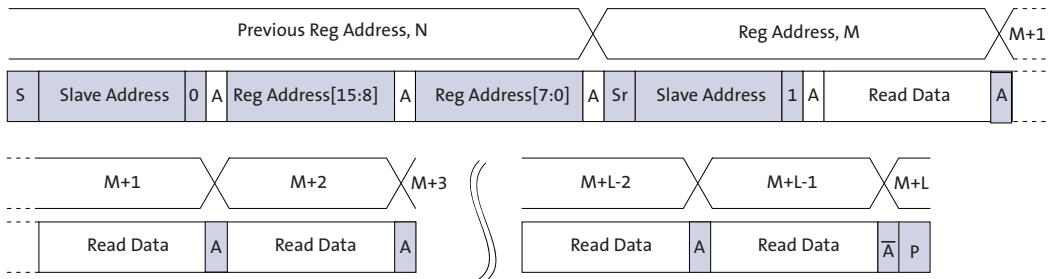
Figure 25: Single READ from Current Location



### Sequential READ, Start from Random Location

This sequence (Figure 26) starts in the same way as the single READ from random location (Figure 24). Instead of generating a no-acknowledge bit after the first byte of data has been transferred, the master generates an acknowledge bit and continues to perform byte READs until “L” bytes have been read.

Figure 26: Sequential READ, Start from Random Location

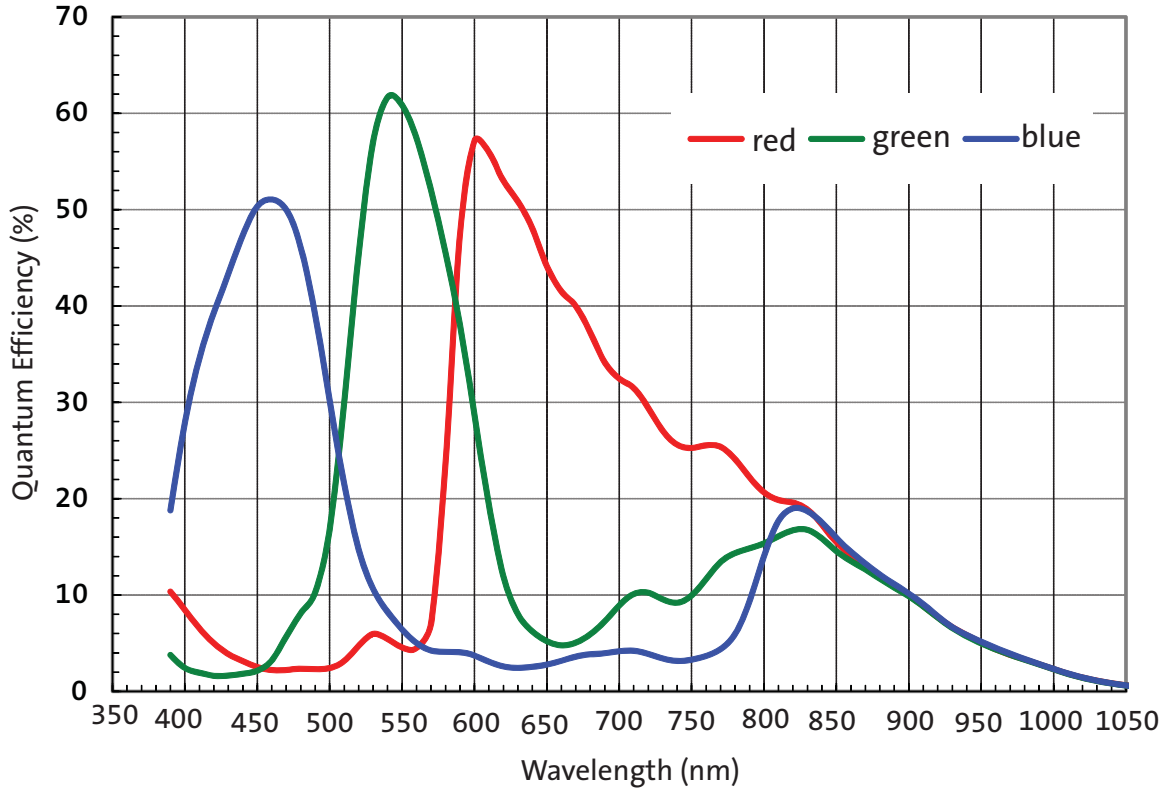






## Spectral Characteristics

Figure 30: Quantum Efficiency – Color Sensor



## Electrical Specifications

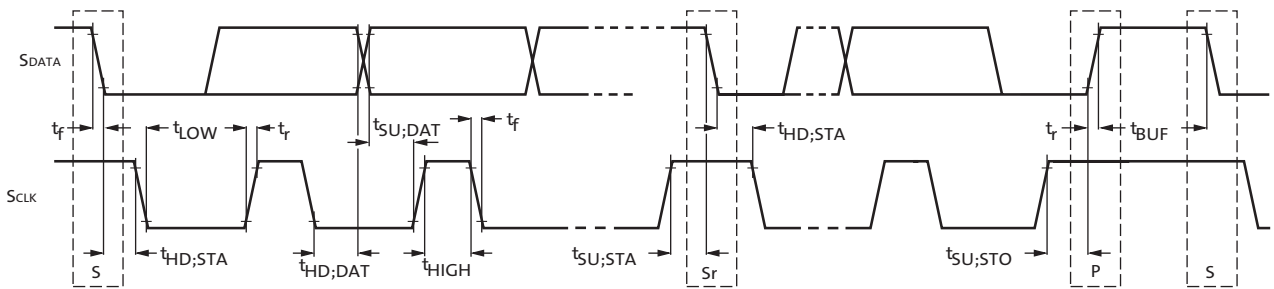
Unless otherwise stated, the following specifications apply to the following conditions:

$V_{DD} = 1.8V - 0.10/+0.15$ ;  $V_{DD\_IO} = V_{DD\_PLL} = V_{AA} = V_{AA\_PIX} = 2.8V \pm 0.3V$ ;  
 $V_{DD\_SLVS} = 0.4V - 0.1/+0.2$ ;  $T_A = -30^{\circ}C$  to  $+70^{\circ}C$ ; output load = 10pF;  
 frequency = 74.25 MHz; HiSPi off.

### Two-Wire Serial Register Interface

The electrical characteristics of the two-wire serial register interface (SCLK, SDATA) are shown in Figure 31 and Table 10.

**Figure 31: Two-Wire Serial Bus Timing Parameters**



**Table 10: Two-Wire Serial Bus Characteristics**

$f_{EXTCLK} = 27$  MHz;  $V_{DD} = 1.8V$ ;  $V_{DD\_IO} = 2.8V$ ;  $V_{AA} = 2.8V$ ;  $V_{AA\_PIX} = 2.8V$ ;  
 $V_{DD\_PLL} = 2.8V$ ;  $V_{DD\_DAC} = 2.8V$ ;  $T_A = 25^{\circ}C$

Parameter	Symbol	Standard-Mode		Fast-Mode		Unit
		Min	Max	Min	Max	
SCLK Clock Frequency	$f_{SCL}$	0	100	0	400	KHz
SCLK High		$8 * EXTCLK + Scl$ k rise time		$8 * EXTCLK + Scl$ k rise time		$\mu s$
SCLK Low		$6 * EXTCLK\_Scl$ k rise time		$6 * EXTCLK + Scl$ k rise time		$\mu s$
Hold time (repeated) START condition. After this period, the first clock pulse is generated	$t_{HD;STA}$	4.0	-	0.6	-	$\mu s$
LOW period of the SCLK clock	$t_{LOW}$	4.7	-	1.3	-	$\mu s$
HIGH period of the SCLK clock	$t_{HIGH}$	4.0	-	0.6	-	$\mu s$
Set-up time for a repeated START condition	$t_{SU;STA}$	4.7	-	0.6	-	$\mu s$
Data hold time:	$t_{HD;DAT}$	$0^4$	$3.45^5$	$0^6$	$0.9^5$	$\mu s$
Data set-up time	$t_{SU;DAT}$	250	-	$100^6$	-	ns
Rise time of both SDATA and SCLK signals	$t_r$	-	1000	$20 + 0.1Cb^7$	300	ns
Fall time of both SDATA and SCLK signals	$t_f$	-	300	$20 + 0.1Cb^7$	300	ns
Set-up time for STOP condition	$t_{SU;STO}$	4.0	-	0.6	-	$\mu s$
Bus free time between a STOP and START condition	$t_{BUF}$	4.7	-	1.3	-	$\mu s$
Capacitive load for each bus line	$C_b$	-	400	-	400	pF



**Table 10: Two-Wire Serial Bus Characteristics**

$f_{EXTCLK} = 27 \text{ MHz}$ ;  $V_{DD} = 1.8\text{V}$ ;  $V_{DD\_IO} = 2.8\text{V}$ ;  $V_{AA} = 2.8\text{V}$ ;  $V_{AA\_PIX} = 2.8\text{V}$ ;  
 $V_{DD\_PLL} = 2.8\text{V}$ ;  $V_{DD\_DAC} = 2.8\text{V}$ ;  $T_A = 25^\circ\text{C}$

Parameter	Symbol	Standard-Mode		Fast-Mode		Unit
		Min	Max	Min	Max	
Serial interface input pin capacitance	CIN_SI	-	3.3	-	3.3	pF
SDATA max load capacitance	CLOAD_SD	-	30	-	30	pF
SDATA pull-up resistor	RSD	1.5	4.7	1.5	4.7	K $\Omega$

- Notes:
1. This table is based on I<sup>2</sup>C standard (v2.1 January 2000). Philips Semiconductor.
  2. Two-wire control is I<sup>2</sup>C-compatible.
  3. All values referred to  $V_{IHmin} = 0.9 V_{DD}$  and  $V_{ILmax} = 0.1V_{DD}$  levels. Sensor EXCLK = 27 MHz.
  4. A device must internally provide a hold time of at least 300 ns for the SDATA signal to bridge the undefined region of the falling edge of SCLK.
  5. The maximum  $t_{HD};DAT$  has only to be met if the device does not stretch the LOW period ( $t_{LOW}$ ) of the SCLK signal.
  6. A Fast-mode I<sup>2</sup>C-bus device can be used in a Standard-mode I<sup>2</sup>C-bus system, but the requirement  $t_{SU};DAT \geq 250 \text{ ns}$  must then be met. This will automatically be the case if the device does not stretch the LOW period of the SCLK signal. If such a device does stretch the LOW period of the SCLK signal, it must output the next data bit to the SDATA line  $t_r \text{ max} + t_{SU};DAT = 1000 + 250 = 1250 \text{ ns}$  (according to the Standard-mode I<sup>2</sup>C-bus specification) before the SCLK line is released.
  7.  $C_b$  = total capacitance of one bus line in pF.
  8. SCLK frequency maximum cannot be greater than 400 kHz but also must meet the SCLK high and low timing.

### I/O Timing

By default, the ARX550AT launches pixel data, FV, and LV with the rising edge of PIXCLK. The expectation is that the user captures DOUT[11:0], FV, and LV using the falling edge of PIXCLK.

See Figure 32 for I/O timing (AC) characteristics.

**Figure 32: I/O Timing Diagram**

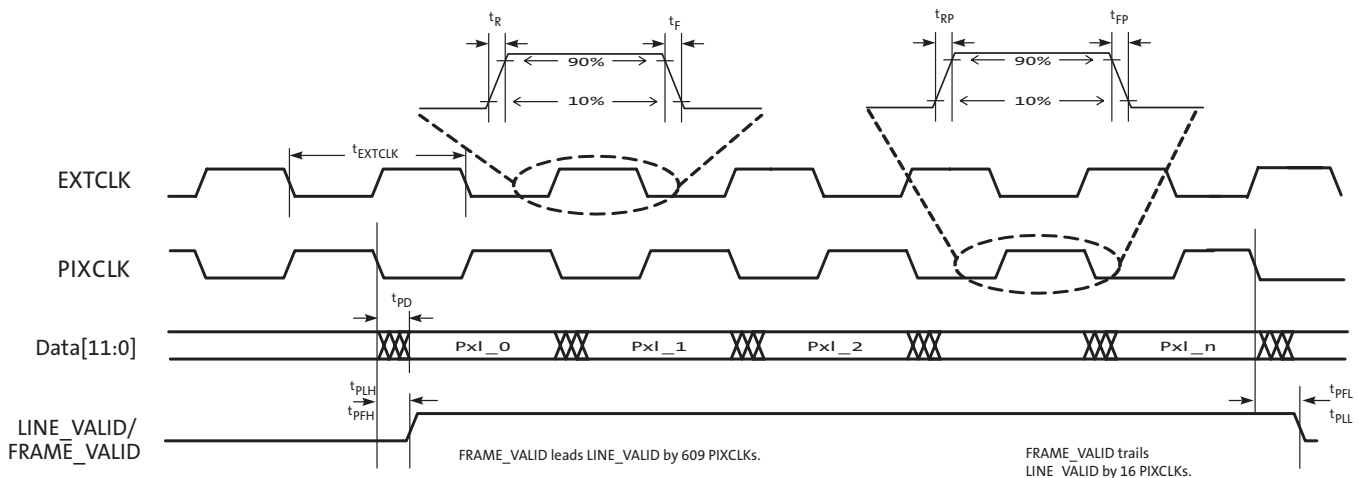


Table 11: I/O Timing Characteristics (2.8V V<sub>DD\_IO</sub>)

Symbol	Definition	Condition	Min	Typ	Max	Unit
f <sub>EXTCLK</sub>	Input clock frequency		6	–	50	MHz
t <sub>EXTCLK</sub>	Input clock period		20	–	166	ns
t <sub>R</sub>	Input clock rise time		–	3	–	ns
t <sub>F</sub>	Input clock fall time		–	3	–	ns
t <sub>JITTER2</sub>	Input clock jitter		–	–	600	ps
t <sub>RP</sub>	Pixclk rise time	PCLK slew rate = 6	0.8	1.1	1.7	ns
t <sub>FP</sub>	Pixclk fall time	PCLK slew rate = 6	0.8	1.2	1.8	ns
	Pixclk duty cycle		45	50	55	%
f <sub>PIXCLK</sub>	PIXCLK frequency <sup>2</sup>		6	–	74.25	MHz
t <sub>PD</sub>	PIXCLK to data valid	PCLK slew rate = 6, Parallel slew rate = 7	–1.5	–	2.5	ns
t <sub>PFH</sub>	PIXCLK to FV HIGH	PCLK slew rate = 6, Parallel slew rate = 7	–1.1	–	1.1	ns
t <sub>PLH</sub>	PIXCLK to LV HIGH	PCLK slew rate = 6, Parallel slew rate = 7	–1.5	–	1.4	ns
t <sub>PFL</sub>	PIXCLK to FV LOW	PCLK slew rate = 6, Parallel slew rate = 7	–1.2	–	0.6	ns
t <sub>PLL</sub>	PIXCLK to LV LOW	PCLK slew rate = 6, Parallel slew rate = 7	–1.6	–	0.9	ns

- Notes:
1. Minimum and maximum values are taken at the temperature and voltage limits; for instance, 105°C at 2.5V, and -40°C at 3.1V. All values are taken at the 50% transition point. The loading used is 10pF.
  2. Jitter from PIXCLK is already taken into account as the data of all the output parameters.



Table 12: I/O Timing Characteristics (1.8V VDD\_IO)

Symbol	Definition	Condition	Min	Typ	Max	Unit
$f_{EXTCLK}$	Input clock frequency		6	–	50	MHz
$t_{EXTCLK}$	Input clock period		20	–	166	ns
$t_R$	Input clock rise time		–	3	–	ns
$t_F$	Input clock fall time		–	3	–	ns
$t_{JITTER}$	Input clock jitter		–	–	600	ps
$t_{RP}$	Pixel rise time	PCLK slew rate = 6	1.2	2.0	3.0	ns
$t_{FP}$	Pixel fall time	PCLK slew rate = 6	1.2	1.9	3.0	ns
	Pixel duty cycle		45	50	55	%
$f_{PIXCLK}$	PIXCLK frequency <sup>2</sup>		6		74.25	MHz
$t_{PD}$	PIXCLK to data valid	PCLK slew rate = 6, Parallel slew rate = 7	–2.0	–	2.1	ns
$t_{PFH}$	PIXCLK to FV HIGH	PCLK slew rate = 6, Parallel slew rate = 7	–1.6	–	0.8	ns
$t_{PLH}$	PIXCLK to LV HIGH	PCLK slew rate = 6, Parallel slew rate = 7	–2.0	–	1.7	ns
$t_{PFL}$	PIXCLK to FV LOW	PCLK slew rate = 6, Parallel slew rate = 7	–1.8	–	0.4	ns
$t_{PLL}$	PIXCLK to LV LOW	PCLK slew rate = 6, Parallel slew rate = 7	–2.1	–	0.7	ns

- Notes: 1. Minimum and maximum values are taken at the temperature and voltage limits; for instance, 105°C at 1.7V, and -40°C at 1.95V. All values are taken at the 50% transition point. The loading used is 10pF.  
2. Jitter from PIXCLK is already taken into account as the data of all the output parameters.

Table 13: I/O Rise Slew Rate (2.8V VDD\_IO)

Parallel Slew Rate (R0x306E[15:13])	Conditions	Min	Typ	Max	Units
7	Default	1.47	2.5	3.91	V/ns
6	Default	1.16	2.0	3.13	V/ns
5	Default	1.0	1.71	2.67	V/ns
4	Default	0.84	1.42	2.2	V/ns
3	Default	0.68	1.13	1.74	V/ns
2	Default	0.52	0.86	1.31	V/ns
1	Default	0.37	0.61	0.92	V/ns
0	Default	0.24	0.38	0.57	V/ns

- Notes: 1. Minimum and maximum values are taken at the temperature and voltage limits; for instance, 105°C at 2.5V, and -40°C at 3.1V. The loading used is 10pF.

**Table 14: I/O Fall Slew Rate (2.8V V<sub>DD\_IO</sub>)**

Parallel Slew Rate (R0x306E[15:13])	Conditions	Min	Typ	Max	Units
7	Default	1.36	2.31	3.51	V/ns
6	Default	1.11	1.91	2.94	V/ns
5	Default	0.98	1.69	2.6	V/ns
4	Default	0.84	1.44	2.22	V/ns
3	Default	0.69	1.18	1.82	V/ns
2	Default	0.54	0.91	1.41	V/ns
1	Default	0.39	0.65	1.0	V/ns
0	Default	0.25	0.41	0.62	V/ns

Notes: 1. Minimum and maximum values are taken at the temperature and voltage limits; for instance, 105°C at 2.5V, and -40°C at 3.1V. The loading used is 10pF.

**Table 15: I/O Rise Slew Rate (1.8V V<sub>DD\_IO</sub>)**

Parallel Slew Rate (R0x306E[15:13])	Conditions	Min	Typ	Max	Units
7	Default	0.56	0.91	1.56	V/ns
6	Default	0.45	0.73	1.25	V/ns
5	Default	0.4	0.64	1.08	V/ns
4	Default	0.34	0.55	0.91	V/ns
3	Default	0.29	0.45	0.73	V/ns
2	Default	0.23	0.35	0.56	V/ns
1	Default	0.17	0.25	0.4	V/ns
0	Default	0.11	0.16	0.25	V/ns

Notes: 1. Minimum and maximum values are taken at the temperature and voltage limits; for instance, 105°C at 1.7V, and -40°C at 1.95V. The loading used is 10pF.

**Table 16: I/O Fall Slew Rate (1.8V V<sub>DD\_IO</sub>)**

Parallel Slew Rate (R0x306E[15:13])	Conditions	Min	Typ	Max	Units
7	Default	0.56	0.93	1.55	V/ns
6	Default	0.45	0.75	1.27	V/ns
5	Default	0.4	0.67	1.13	V/ns
4	Default	0.35	0.58	0.97	V/ns
3	Default	0.3	0.49	0.8	V/ns
2	Default	0.24	0.39	0.63	V/ns
1	Default	0.18	0.28	0.46	V/ns
0	Default	0.12	0.19	0.29	V/ns

Notes: 1. Minimum and maximum values are taken at the temperature and voltage limits; for instance, 105°C at 1.7V, and -40°C at 1.95V. The loading used is 10pF.



## DC Electrical Characteristics

The DC electrical characteristics are shown in the tables below.

**Table 17: DC Electrical Characteristics**

Symbol	Definition	Condition	Min	Typ	Max	Unit
VDD	Core digital voltage		1.7	1.8	1.95	V
VDD_IO	I/O digital voltage		1.7/2.5	1.8/2.8	1.9/3.1	V
VAA	Analog voltage		2.5	2.8	2.9	V
VAA_PIX	Pixel supply voltage		2.5	2.8	2.9	V
VDD_PLL	PLL supply voltage		2.5	2.8	3.1	V
VDD_SLVS	HiSPi supply voltage		0.3	0.4	0.6	V
VIH	Input HIGH voltage		$V_{DD\_IO} \cdot 0.7$	–	–	V
VIL	Input LOW voltage		–	–	$V_{DD\_IO} \cdot 0.3$	V
IIN	Input leakage current	No pull-up resistor; $V_{IN} = V_{DD\_IO}$ or DGND	20	–	–	$\mu\text{A}$
VOH	Output HIGH voltage		$V_{DD\_IO} - 0.3$	–	–	V
VOL	Output LOW voltage		–	–	0.4	V
IOH	Output HIGH current	At specified VOH	-22	–	–	mA
IOL	Output LOW current	At specified VOL	–	–	22	mA

**Caution** Stresses greater than those listed in Table 18 may cause permanent damage to the device. This is a stress rating only, and functional operation of the device at these or any other conditions above those indicated in the operational sections of this specification is not implied.

**Table 18: Absolute Maximum Ratings**

Symbol	Parameter	Minimum	Maximum	Unit	Symbol
VSUPPLY	Power supply voltage (all supplies)	-0.3	4.3	V	VSUPPLY
ISUPPLY	Total power supply current	–	200	mA	ISUPPLY
IGND	Total ground current	–	200	mA	IGND
VIN	DC input voltage	-0.3	$V_{DD\_IO} + 0.3$	V	VIN
VOUT	DC output voltage	-0.3	$V_{DD\_IO} + 0.3$	V	VOUT
TSTG <sup>1</sup>	Storage temperature	-40	+150	°C	TSTG <sup>1</sup>

- Notes:
1. Exposure to absolute maximum rating conditions for extended periods may affect reliability.
  2. To keep dark current and shot noise artifacts from impacting image quality, keep operating temperature at a minimum.



**Table 19: Operating Current Consumption in Parallel Output and Linear Mode**

Definition	Condition	Symbol	Min	Typ	Max	Unit
Digital operating current	Streaming, 848x638 60 fps	IDD1	–	50	70	mA
I/O digital operating current	Streaming, 848x638 60 fps, Vio =1.8V	IDD_IO	–	15	24	mA
Analog operating current	Streaming, 848x638 60 fps	IAA	–	18	27	mA
Pixel supply current	Streaming, 848x638 60 fps	IAA_PIX	–	3.5	5	mA
PLL supply current	Streaming, 848x638 60 fps	IDD_PLL	–	6.5	10	mA

- Notes: 1. Operating currents are measured at the following conditions:  
 $V_{AA} = V_{AA\_PIX} = V_{DD\_PLL} = 2.8V$   
 $V_{DD} = 1.8V$   
 PLL Enabled and PIXCLK = 74.25 Mhz  
 $T_A = 25^\circ C$   
 $C_{LOAD} = 10pF$

**Table 20: Operating Current Consumption in Parallel Output and HDR Mode**

Definition	Condition	Symbol	Min	Typ	Max	Unit
Digital operating current	Streaming, 848x638 60 fps	IDD	–	70	95	mA
I/O digital operating current	Streaming, 848x638 60 fps, Vio =1.8V	IDD_IO	–	20	30	mA
Analog operating current	Streaming, 848x638 60 fps	IAA	–	40	60	mA
Pixel supply current	Streaming, 848x638 60 fps	IAA_PIX	–	7	8.5	mA
PLL supply current	Streaming, 848x638 60 fps	IDD_PLL	–	6.5	10	mA

- Notes: 1. Operating currents are measured at the following conditions:  
 $V_{AA} = V_{AA\_PIX} = V_{DD\_PLL} = 2.8V$   
 $V_{DD} = 1.8V$   
 PLL Enabled and PIXCLK = 74.25 MHz  
 $T_A = 25^\circ C$   
 $C_{LOAD} = 10pF$

**Table 21: Operating Currents in HiSPi Output and Linear Mode**

Definition	Condition	Symbol	Min	Typ	Max	Unit
Digital Operating Current	Streaming, 848x638 60 fps	IDD	–	70	90	mA
I/O digital operating current	Streaming, 848x638 60 fps	IDD_IO	–	100	150	$\mu A$
Analog operating current	Streaming, 848x638 60 fps	IAA	–	18	27	mA
Pixel Supply Current	Streaming, 848x638 60 fps	IAA_PIX	–	3.5	5	mA
PLL Supply Current	Streaming, 848x638 60 fps	IDD_PLL	–	6.5	10	mA
SLVS Supply Current	HiVCM MODE	IDD_SLVS	–	24	36	mA

- Notes: 1. Operating currents are measured at the following conditions:  
 $V_{AA} = V_{AA\_PIX} = V_{DD\_IO} = V_{DD\_PLL} = 2.8V$   
 $V_{DD} = 1.8V$   
 $V_{DD\_SLVS} = 1.8V$



PLL Enabled and PIXCLK=74.25Mhz  
 $T_A = 25^\circ\text{C}$   
 $C_{LOAD} = 10\text{pF}$

**Table 22: Operating Current in HiSpi Output and HDR Mode**

Definition	Condition	Symbol	Min	Typ	Max	Unit
Digital Operating Current	Streaming, 848x638 60 fps	IDD	–	90	100	mA
I/O digital operating current	Streaming, 848x638 60 fps	IDD_IO	–	100	150	$\mu\text{A}$
Analog operating current	Streaming, 848x638 60 fps	IAA	–	18	27	mA
Pixel Supply Current	Streaming, 848x638 60 fps	IAA_PIX	–	3.5	5	mA
PLL Supply Current	Streaming, 848x638 60 fps	IDD_PLL	–	6.5	10	mA
SLVS Supply Current	HivCM MODE	IDD_SLVS	–	24	336	mA

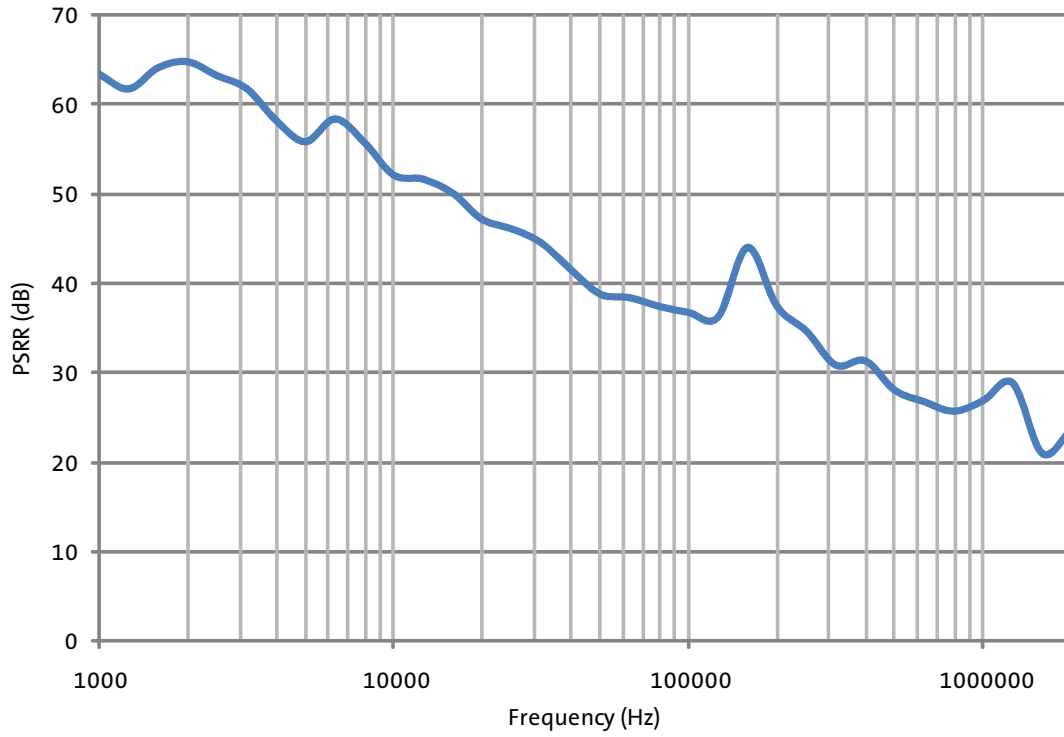
- Notes: 1. Operating currents are measured at the following conditions:  
 $V_{AA}=V_{AA\_PIX}=V_{DD\_IO}=V_{DD\_PLL}=2.8\text{V}$   
 $V_{DD}=1.8\text{V}$   
 $V_{DD\_SLVS} = 1.8\text{V}$   
 PLL Enabled and PIXCLK=74.25MHz  
 $T_A = 25^\circ\text{C}$   
 $C_{LOAD} = 10\text{pF}$

**Table 23: Standby Current Consumption**

Definition	Condition	Symbol	Min	Typ	Max	Unit
Hard standby (clock off)	Analog, 2.8V	–	–	30	100	$\mu\text{A}$
	Digital, 1.8V	–	–	100	2500	$\mu\text{A}$
Hard standby (clock on)	Analog, 2.8V	–	–	30	100	$\mu\text{A}$
	Digital, 1.8V	–	–	1.5	4	mA
Soft standby (clock off)	Analog, 2.8V	–	–	30	100	$\mu\text{A}$
	Digital, 1.8V	–	–	100	2500	$\mu\text{A}$
Soft standby (clock on)	Analog, 2.8V	–	–	30	100	$\mu\text{A}$
	Digital, 1.8V	–	–	1.5	4	mA

- Notes: 1. Analog –  $V_{AA} + V_{AA\_PIX} + V_{DD\_PLL} + V_{DD\_PHY}$   
 2. Digital –  $V_{DD} + V_{DD\_IO} + V_{DD\_SLVS}$   
 3.  $C_{LOAD} = 10\text{pF}$

Figure 33: Typical Power Supply Rejection Ratio





## HiSPi Electrical Specifications

The Aptina ARX550AT sensor supports both SLVS and HiVCM HiSPi modes. Refer to the High-Speed Serial Pixel (HiSPi) Interface Physical Layer Specification v2.00.00 for electrical definitions, specifications, and timing information. The VDD\_SLVS supply in this datasheet corresponds to VDD\_TX in the HiSPi Physical Layer Specification. Similarly, VDD is equivalent to VDD\_HiSPi as referenced in the specification.

## Power-On Reset and Standby Timing

### Power-Up Sequence

The recommended power-up sequence for the ARX550AT is shown in Figure 34. The available power supplies (VDD\_IO, VDD, VDD\_SLVS, VDD\_PLL, VAA, VAA\_PIX) must have the separation specified below.

1. Turn on VDD\_PLL power supply.
2. After 0–10 $\mu$ s, turn on VAA and VAA\_PIX power supply.
3. After 0–10 $\mu$ s, turn on VDD\_IO power supply.
4. After the last power supply is stable, enable EXTCLK.
5. Assert RESET\_BAR for at least 1ms.
6. Wait 850000 EXTCLKs (for internal initialization into software standby).
7. Configure PLL, output, and image settings to desired values.
8. Wait 1ms for the PLL to lock.
9. Set streaming mode (R0x301a[2] = 1).

Figure 34: Power Up

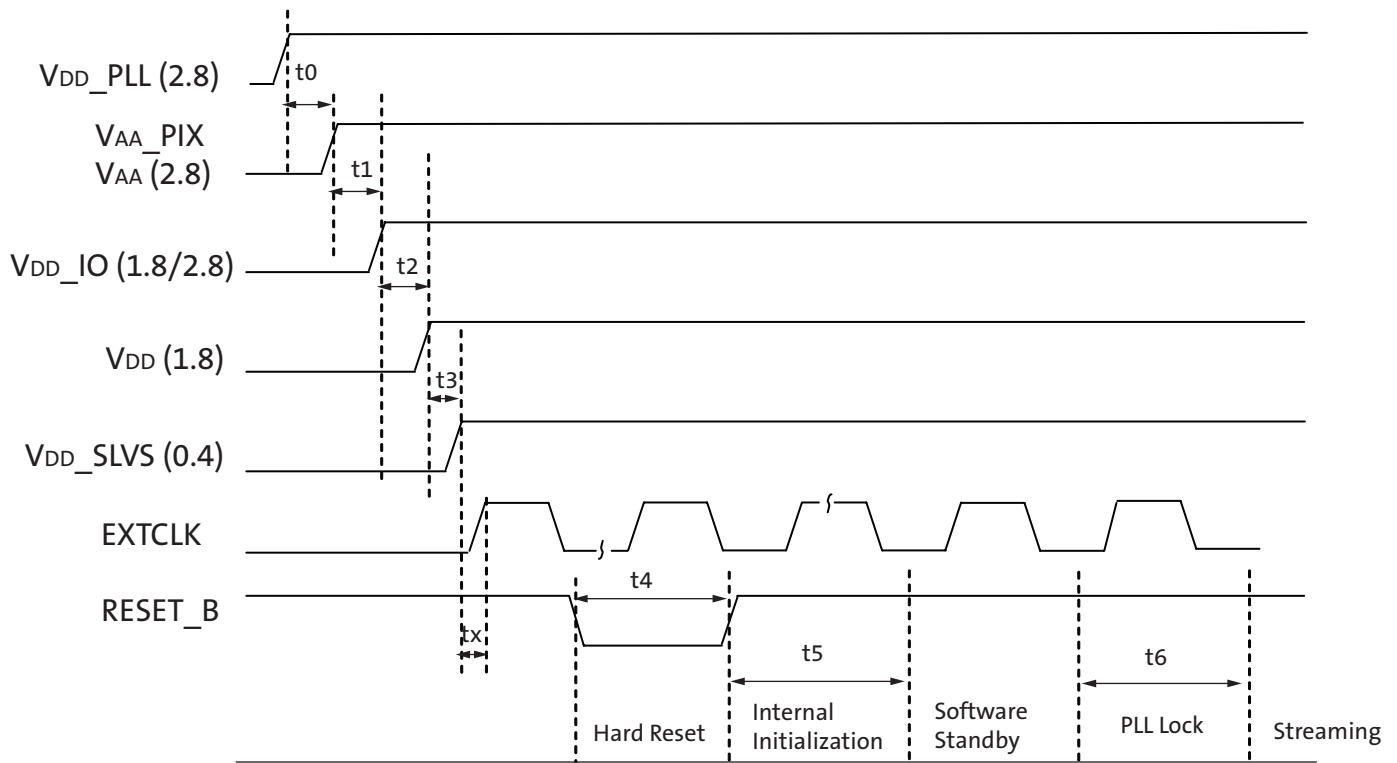




Table 24: Power-Up Sequence

Definition	Symbol	Minimum	Typical	Maximum	Unit
VDD_PLL to VAA/VAA_PIX <sup>3</sup>	t0	0	10	–	μs
VAA/VAA_PIX to VDD_IO	t1	0	10	–	μs
VDD_IO to VDD	t2	0	10	–	μs
VDD to VDD_SLVS	t3	0	10	–	μs
Xtal settle time	tx	–	30 <sup>1</sup>	–	ms
Hard Reset	t4	1 <sup>2</sup>	–	–	ms
Internal Initialization	t5	850000	–	–	EXTCLKS
PLL Lock Time	t6	1	–	–	ms

- Notes:
1. Xtal settling time is component-dependent, usually taking about 10 – 100 ms.
  2. Hard reset time is the minimum time required after power rails are settled. In a circuit where Hard reset is held down by RC circuit, then the RC time must include the all power rail settle time and Xtal settle time.
  3. It is critical that VDD\_PLL is not powered up after the other power supplies. It must be powered before or at least at the same time as the others. If the case happens that VDD\_PLL is powered after other supplies then sensor may have functionality issues and will experience high current draw on this supply.



### Power-Down Sequence

The recommended power-down sequence for the ARX550AT is shown in Figure 35. The available power supplies (VDD\_IO, VDD, VDD\_SLVS, VDD\_PLL, VAA, VAA\_PIX) must have the separation specified below.

1. Disable streaming if output is active by setting standby R0x301a[2] = 0
2. The soft standby state is reached after the current row or frame, depending on configuration, has ended.
3. Turn off VDD\_SLVS.
4. Turn off VDD.
5. Turn off VDD\_IO
6. Turn off VAA/VAA\_PIX.
7. Turn off VDD\_PLL.

Figure 35: Power Down

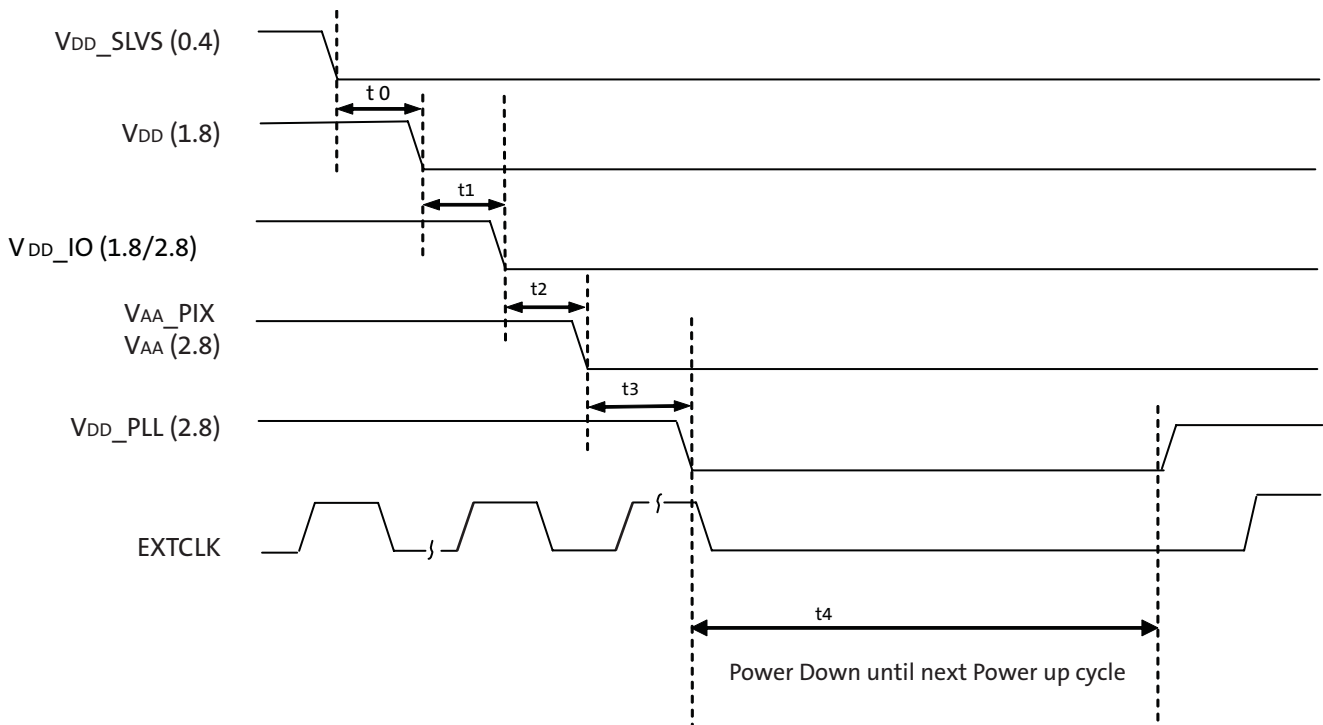


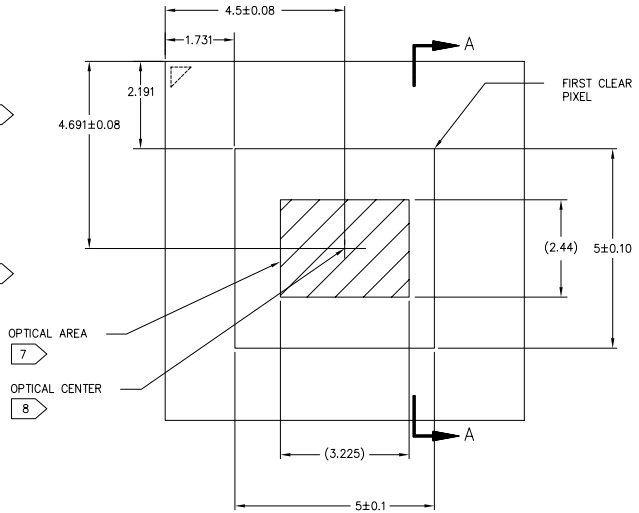
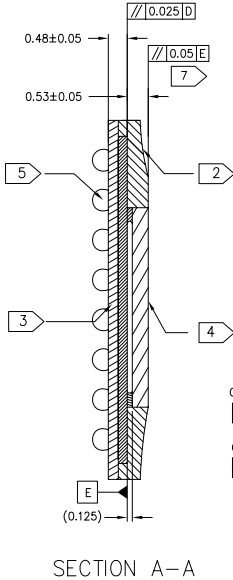
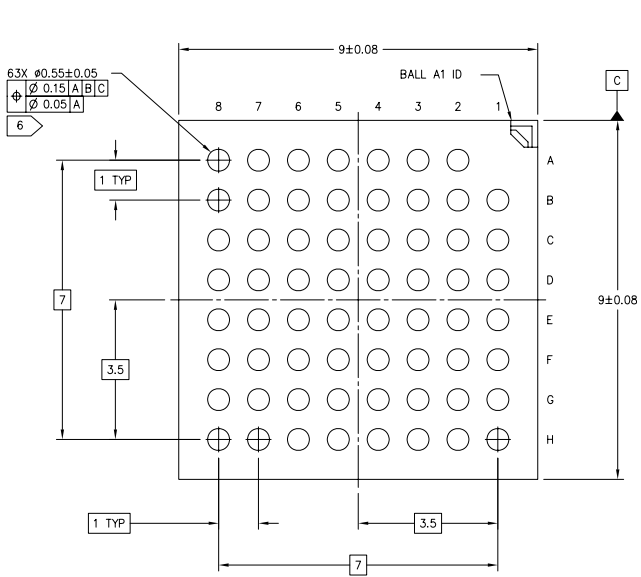
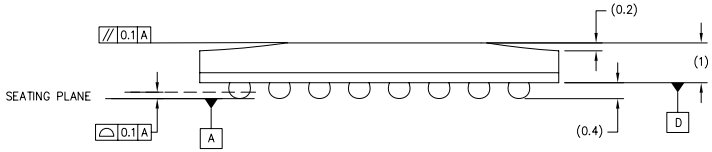
Table 25: Power-Down Sequence

Definition	Symbol	Minimum	Typical	Maximum	Unit
VDD_SLVS to VDD	t0	0	–	–	μs
VDD to VDD_IO	t1	0	–	–	μs
VDD_IO to VAA/VAA_PIX	t2	0	–	–	μs
VAA/VAA_PIX to VDD_PLL	t3	0	–	–	μs
PwrDn until Next PwrUp Time	t4	100	–	–	ms

Note: t4 is required between power down and next power up time; all decoupling caps from regulators must be completely discharged.

# Package Diagram

NOTES	
1	DIMENSIONS IN MM. DIMENSIONS IN ( ) ARE FOR REFERENCE ONLY.
2	ENCAPSULANT: EPOXY
3	SUBSTRATE MATERIAL: EPOXY LAMINATE 0.25 THICKNESS.
4	LID MATERIAL: BOROSILICATE GLASS ±0.05 THICKNESS. REFRACTIVE INDEX AT 20°C = 1.5255 @ 546nm & 1.5231 @ 588nm. DOUBLE SIDE AR COATING: 530–570nm R<1%, 420–700nm R<2%.
5	SOLDER BALL MATERIAL: SAC305 (96.5% Sn, 3% Ag, 0.5% Cu)
6	DIMENSIONS APPLY TO SOLDER BALLS POST REFLOW. PRE-REFLOW BALL IS Ø0.55 ON A Ø0.4 SMD BALL PAD.
7	MAXIMUM ROTATION OF OPTICAL AREA RELATIVE TO PACKAGE EDGES: 1°
7	MAXIMUM TILT OF OPTICAL AREA RELATIVE TO SUBSTRATE PLANE [D]: 25 MICRONS
7	MAXIMUM TILT OF COVER GLASS RELATIVE TO OPTICAL AREA PLANE [E]: 50 MICRONS.
8	OPTICAL CENTER OFFSET FROM PACKAGE CENTER; X=0, Y=-0.19125





## Revision History

Rev. A .....	1/23/13
• Initial release	

10 Eunos Road 8 13-40, Singapore Post Center, Singapore 408600 prodmktg@aptina.com www.apina.com

Aptina, Aptina Imaging, and the Aptina logo are the property of Aptina Imaging Corporation

All other trademarks are the property of their respective owners.

This data sheet contains minimum and maximum limits specified over the power supply and temperature range set forth herein. Although considered final, these specifications are subject to change, as further product development and data characterization sometimes occur.