

MT9P014



5-Megapixel
1/2.5-inch
CMOS Image Sensor Die
Die or iLLC

Meeting the Demand for Increased Image Quality

- 1 Excellent Image Quality**
High-quality images. 5Mp available in 1/2.5-inch format.
- 2 Two-Lane MIPI Advantage**
On-chip PLL and two-lane MIPI enable low EMI solutions by making the data clock adjustable without sacrificing frame rate.
- 3 HD Video at Fast Frame Rates**
Captures stunning 1080p HD video at 30 fps and 720p HD video at 60 fps.
- 4 Flexible Configuration**
Flexible settings and configuration enable optimal system performance metrics.
- 5 Low Power and Slow Motion Video Modes**
Get both low-power VGA mode and high quality slow motion VGA mode.

Applications

- Mobile
- Portable media players
- Security cameras



How to Buy

Visit Aptina.com to find qualified distributors or to request access to NDA data sheets and other technical documents.

Features

- Low dark current
- Simple two-wire serial interface
- Auto black level calibration
- Support for external mechanical shutter
- Support for external LED or xenon flash
- High frame rate preview mode with arbitrary downsize scaling from maximum resolution
- Programmable controls: gain, horizontal and vertical blanking, auto black level offset correction, frame size/rate, exposure, left-right and top-bottom image reversal, window size, and panning
- Data interface: CCP2-compliant, sub-low-voltage differential signalling (sub-LVDS) or single/dual lane serial mobile industry processor interface (MIPI)
- On-die phase-locked loop (PLL) oscillator
- Bayer pattern down-size scaler
- Integrated color and lens shading correction
- One-time programmable memory (OTPM) for storing module information
- Superior low-light performance
- Position and color-based shading correction

Specifications

Imaging Array

- Optical Format: 1/2.5-inch
- Active Array: 2592(H) x 1944(V)
- Imaging Area: 5.70mm(H) x 4.28mm(V)

Speed/Output

- Frame Rate: 15 fps at full resolution
- Data Rate: 1 or 2 lane MIPI: 768 Mb/s per lane
CCP2: 650 Mb/s
- Master Clock: 6–27 MHz
- Data Format: CCP2-compliant or MIPI

Sensitivity

- Pixel Size: 2.2 μ m x 2.2 μ m
- Dynamic Range: 69dB
- Responsivity: 0.8 V/lux-sec

Power

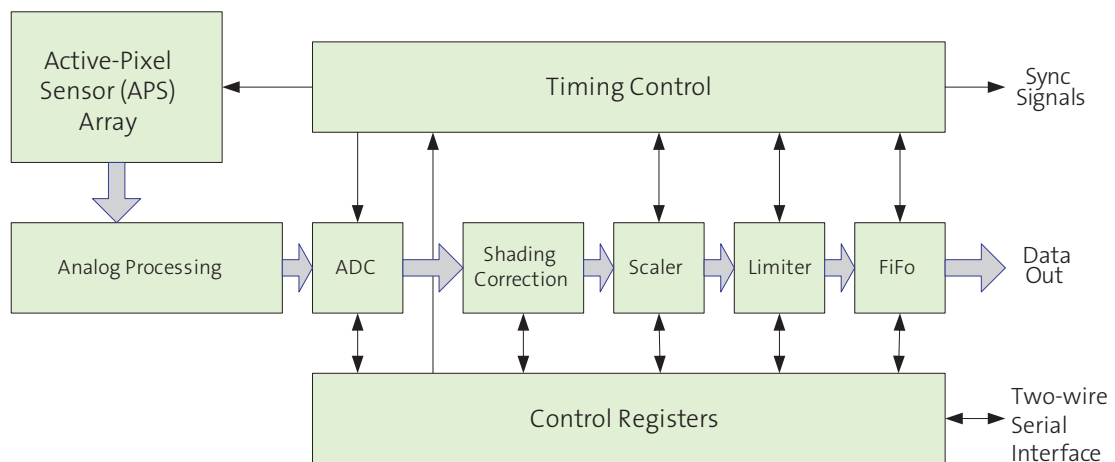
- Supply: Digital: 1.7–1.9V (1.8V nominal)
Analog: 2.4–3.1V (2.8V nominal)
I/O: 1.7–1.9V (1.8V nominal)
- Consumption: 298mW (operating) and 54 μ W (standby)

Temperature Range

- Operating: –30°C to +70°C

Package: Die or iLCC

Block Diagram



aptina.com

Products are warranted only to meet Aptina's production data sheet specifications. Aptina and the Aptina logo are trademarks of Aptina Imaging Corporation. All other trademarks are the property of their respective owners. ©2012 Aptina Imaging Corporation. All rights reserved. 5/7/12 EN.L

