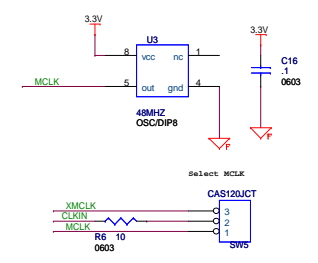
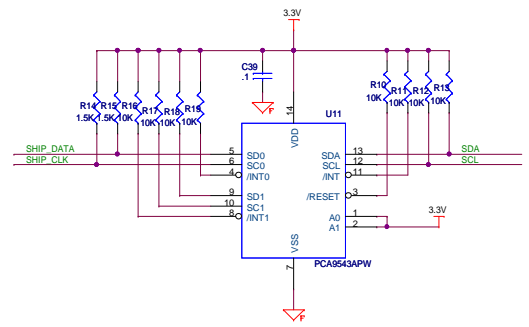
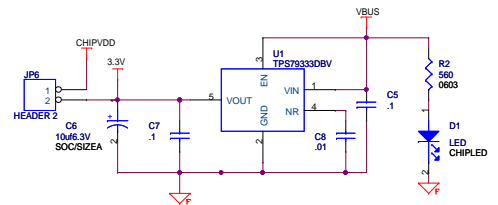
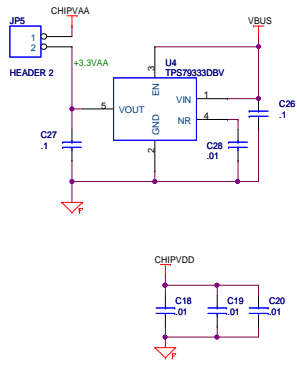
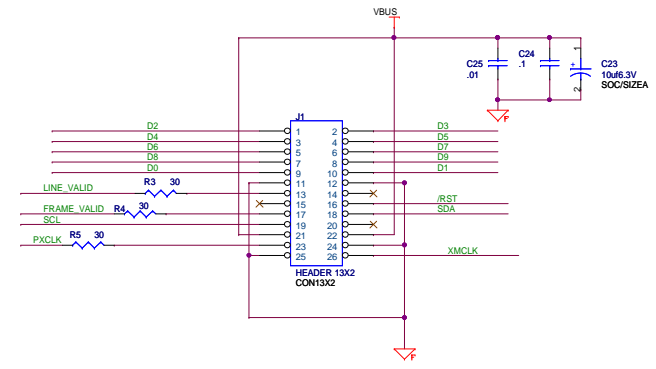


Note: D10, D11, D12, D13, D14, D15, SP0, SP1, SP2 ARE NO CONNECTIONS



Title		
MT9T031 HEAD BOARD		
Size	Document Number	Rev
C		1
Date:	Thursday, October 25, 2007	Sheet 1 of 1