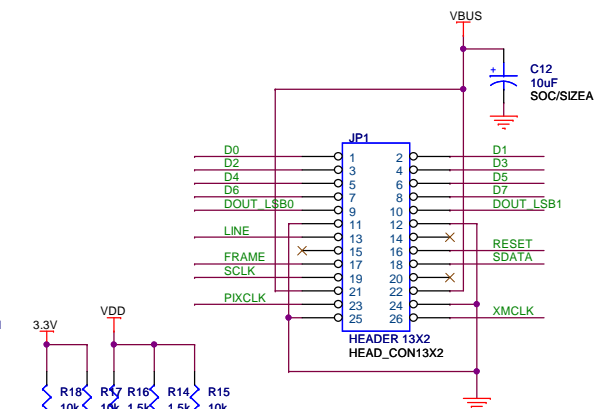
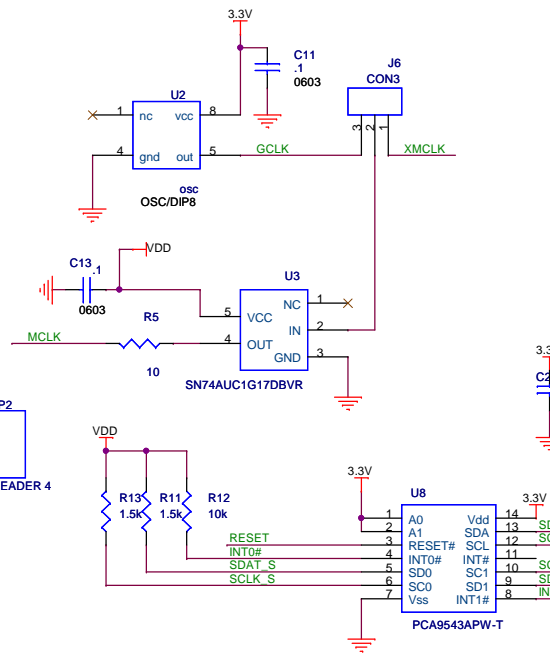
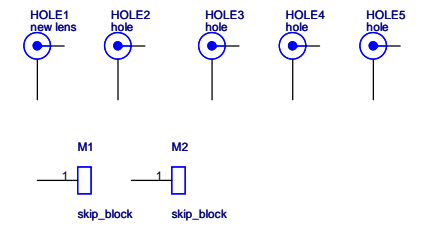
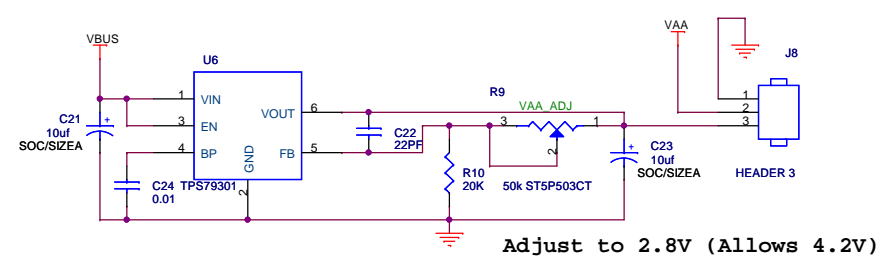
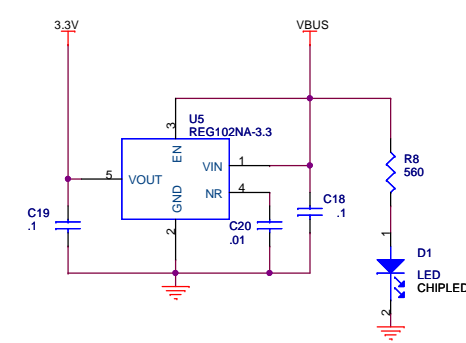
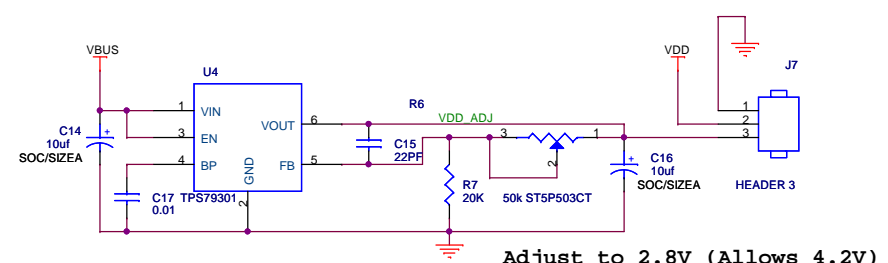


Jumper setting:
 J1 : 2-3
 J2 : 2-3
 J3 : 1-2
 J4 : 1-2
 J5 : 2-3
 J6 : 2-3
 J7 : 2-3
 J8 : 2-3



Power



Title		
MT9V131 HEAD BOARD		
Size	Document Number	Rev
Custom		2R
Date:	Thursday, October 25, 2007	Sheet 1 of 1